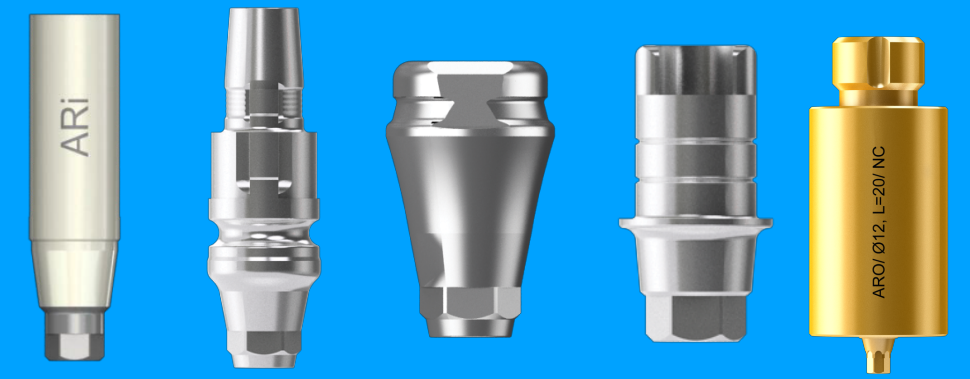


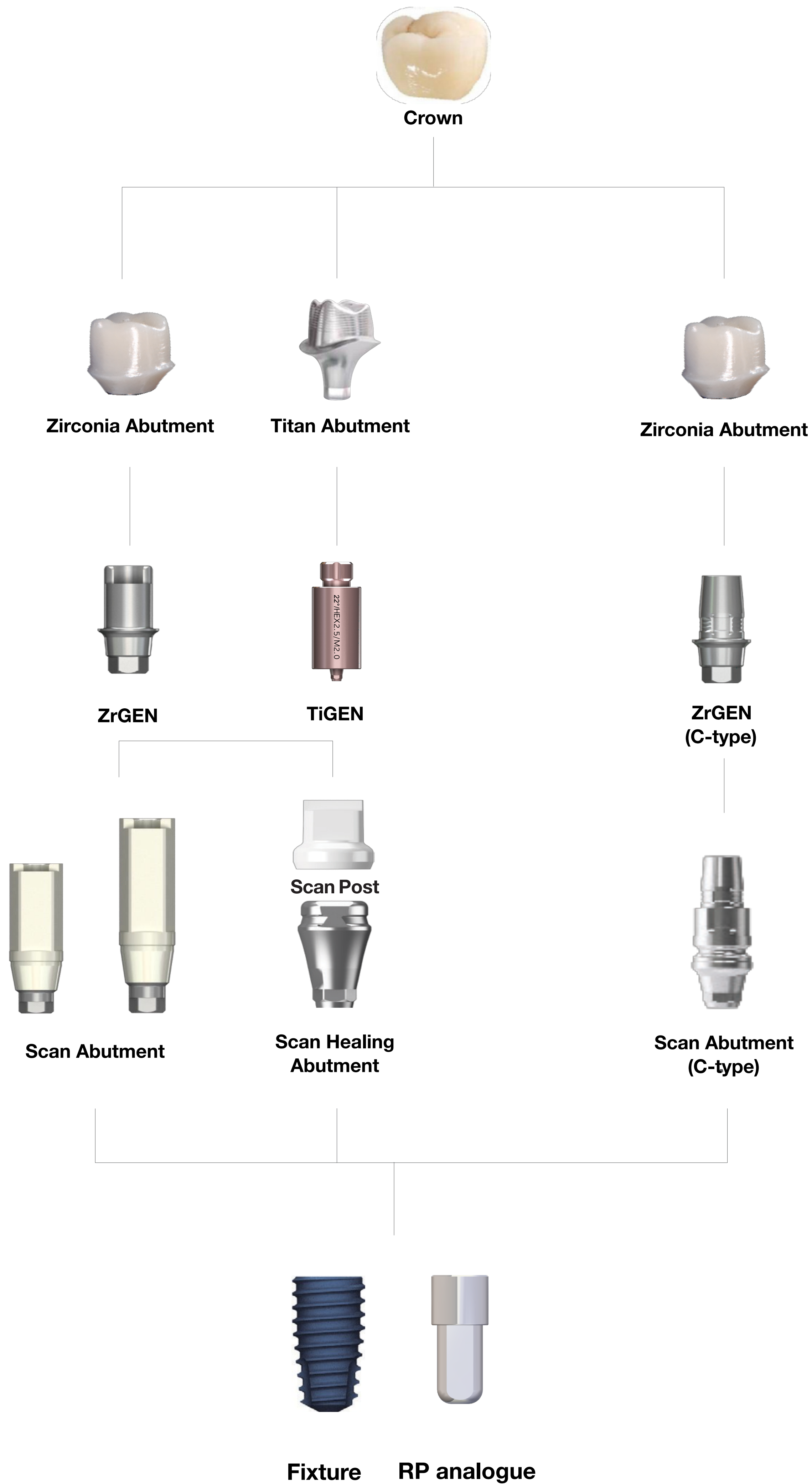
# 2019 MEGAGEN Digital Implant Library System Guide Book

**R2**  
**GATE**



## 2019 MEGAGEN DIGITAL IMPLANT SYSTEM LIBRARY GUIDE

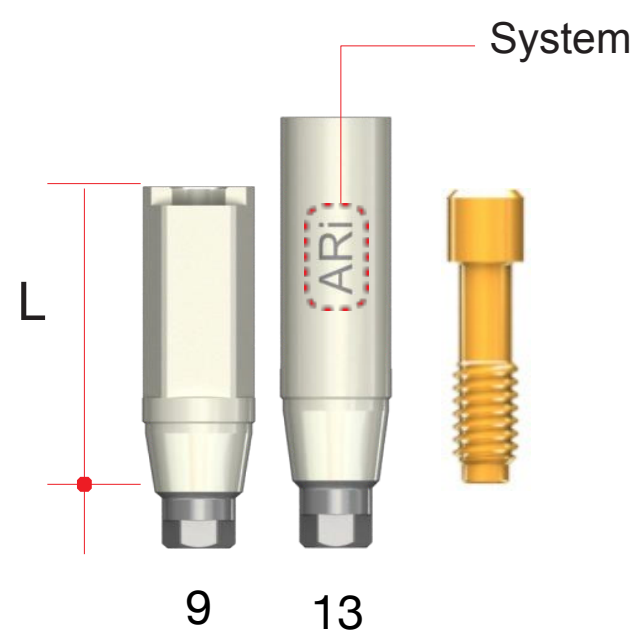
# AnyRidge





# Scan abutment

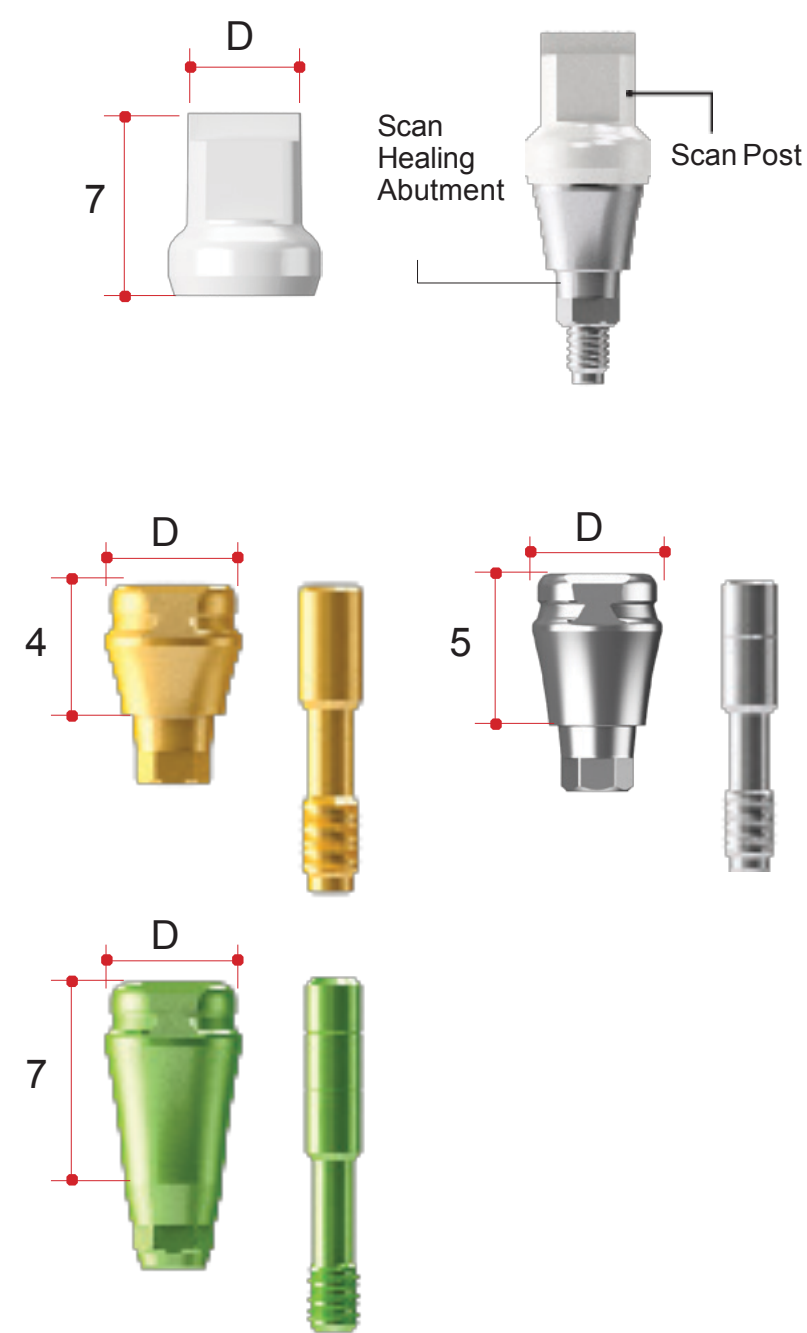
Supporting Dental CAD  
exocad, 3shape, DentalWing



## Scan Abutment [AR]

Diameter	Lenght	Ref.C	Item Code in the Library	
			exocad Library	3shape Library
4.0	9	AANISR4009T	MGG AR Int.(SCAN09)	NEW AnyRidge Sys. ZrGEN Distribution
	13	AANISR4013T	MGG AR Int.(SCAN13)	NEW AnyRidge Int. TiGEN Distribution

## Scan Healing Abutment [AR]



Diameter	Scan Post	Height	Ref.C	exocad Library	3shape Library
Ø4.0	SP4007.MTN	4	ARISH4004T	MGG ARI(SH=H04)	MGG ARI(SH=H04)
		5	ARISH4005T	MGG ARI(SH=H05)	MGG ARI(SH=H05)
		7	ARISH4007T	MGG ARI(SH=H07)	MGG ARI(SH=H07)
Ø5.0	SP5007.MTN	4	ARISH5004T	MGG ARI(SH=H04)	MGG ARI(SH=H04)
		5	ARISH5005T	MGG ARI(SH=H05)	MGG ARI(SH=H05)
		7	ARISH5007T	MGG ARI(SH=H07)	MGG ARI(SH=H07)
Ø6.0	SP6007.MTN	4	ARISH6004T	MGG ARI(SH=H04)	MGG ARI(SH=H04)
		5	ARISH6005T	MGG ARI(SH=H05)	MGG ARI(SH=H05)
		7	ARISH6007T	MGG ARI(SH=H07)	MGG ARI(SH=H07)
Ø7.0	SP7007.MTN	4	ARISH7004T	MGG ARI(SH=H04)	MGG ARI(SH=H04)
		5	ARISH7005T	MGG ARI(SH=H05)	MGG ARI(SH=H05)
		7	ARISH7007T	MGG ARI(SH=H07)	MGG ARI(SH=H07)
Ø5.0 (Extra type)	SP5007.MTN	4	ARNSH5004T	MGG ARI(SH=H04)	MGG ARI(SH=H04)
		5	ARNSH5005T	MGG ARI(SH=H05)	MGG ARI(SH=H05)
		7	ARNSH5007T	MGG ARI(SH=H07)	MGG ARI(SH=H07)
Ø6.0 (Extra type)	SP6007.MTN	4	ARNSH6004T	MGG ARI(SH=H04)	MGG ARI(SH=H04)
		5	ARNSH6005T	MGG ARI(SH=H05)	MGG ARI(SH=H05)
		7	ARNSH6007T	MGG ARI(SH=H07)	MGG ARI(SH=H07)

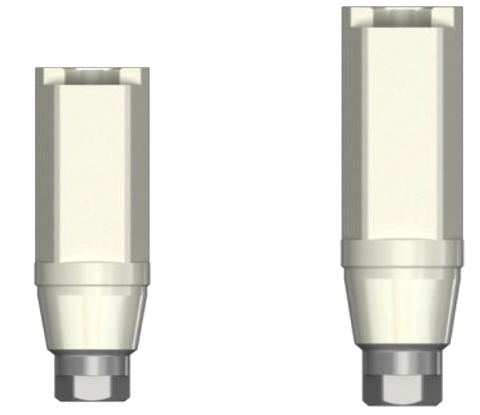


## Scan Post Carrier

System	Length	Ref.C
Common	19	SPC16

# ZrGEN

\* Different groove number depend on the post size  
 P=4.5 > groove number 2ea  
 P=5 > groove number 3ea  
 P=6 > groove number 4ea  
 P=8 > groove number 6ea



Library Name **MGG AR Int. (SCAN09)** **MGG AR Int. (SCAN13)**



Download [www.r2gate.com](http://www.r2gate.com)  
 [Official]ZrGEN & TiGEN\_AnyRidge(Int)\_Exocad\_v1.12

\* Coming soon

Zr_base Option In Exceed	Product Information				
	Diameter (mm)	Cuff Height (mm)	Post Height (mm)	Type	Ref.C
ZrGEN 4015	4.0	0.6	4.5	Hex	AANIPR4015.MTN
ZrGEN 4016			6		AANIPR4016.MTN
ZrGEN 4018			8		AANIPR4018.MTN
ZrGEN 4025		1.5	4.5		AANIPR4025.MTN
ZrGEN 4026			6		AANIPR4026.MTN
ZrGEN 4028			8		AANIPR4028.MTN
ZrGEN 4035		3.0	4.5		AANIPR4035.MTN
ZrGEN 4036			6		AANIPR4036.MTN
ZrGEN 4038			8		AANIPR4038.MTN
ZrGEN 4045		4.0	4.5		AANIPR4045.MTN
ZrGEN 4046			6		AANIPR4046.MTN
ZrGEN 4048			8		AANIPR4048.MTN
ZrGEN 4015	4.0	0.6	4.5	Non-Hex	AANIPR4015N.MTN
ZrGEN 4016			6		AANIPR4016N.MTN
ZrGEN 4018			8		AANIPR4018N.MTN
ZrGEN 4025		1.5	4.5		AANIPR4025N.MTN
ZrGEN 4026			6		AANIPR4026N.MTN
ZrGEN 4028			8		AANIPR4028N.MTN
ZrGEN 4035		3.0	4.5		AANIPR4035N.MTN
ZrGEN 4036			6		AANIPR4036N.MTN
ZrGEN 4038			8		AANIPR4038N.MTN
ZrGEN 4045		4.0	4.5		AANIPR4045N.MTN
ZrGEN 4046			6		AANIPR4046N.MTN
ZrGEN 4048			8		AANIPR4048N.MTN
ZrGEN 4515	4.5	0.6	4.5	Hex	AANIPR4015.MTN
ZrGEN 4516			6		AANIPR4016.MTN
ZrGEN 4518			8		AANIPR4018.MTN
ZrGEN 4525		1.5	4.5		AANIPR4025.MTN
ZrGEN 4526			6		AANIPR4026.MTN
ZrGEN 4528			8		AANIPR4028.MTN
ZrGEN 4535		3.0	4.5		AANIPR4035.MTN
ZrGEN 4536			6		AANIPR4036.MTN
ZrGEN 4538			8		AANIPR4038.MTN
ZrGEN 4545		4.0	4.5		AANIPR4045.MTN
ZrGEN 4546			6		AANIPR4046.MTN
ZrGEN 4548			8		AANIPR4048.MTN
ZrGEN 4515	4.5	0.6	4.5	Non-Hex	AANIPR4515N.MTN
ZrGEN 4516			6		AANIPR4516N.MTN
ZrGEN 4518			8		AANIPR4518N.MTN
ZrGEN 4525		1.5	4.5		AANIPR4525N.MTN
ZrGEN 4526			6		AANIPR4526N.MTN
ZrGEN 4528			8		AANIPR4528N.MTN
ZrGEN 4535		3.0	4.5		AANIPR4535N.MTN
ZrGEN 4536			6		AANIPR4536N.MTN
ZrGEN 4538			8		AANIPR4538N.MTN
ZrGEN 4545		4.0	4.5		AANIPR4545N.MTN
ZrGEN 4546			6		AANIPR4546N.MTN
ZrGEN 4548			8		AANIPR4548N.MTN

\* ZrGEN Library Cement gap 0, 15, 25, 50 μ

**TiGEN**



Library Name **MGG AR Int. (SCAN09)** **MGG AR Int. (SCAN13)**

**exocad**



Download [www.r2gate.com](http://www.r2gate.com)  
[Official]ZrGEN & TiGEN\_AnyRidge(Int)\_Exocad\_v1.12

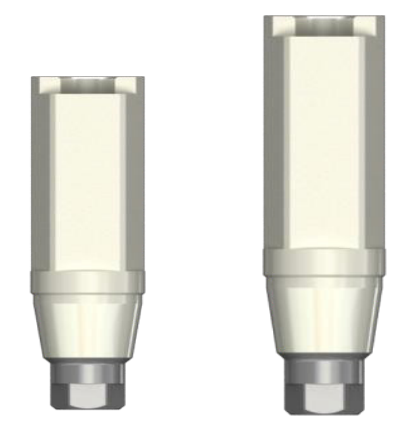
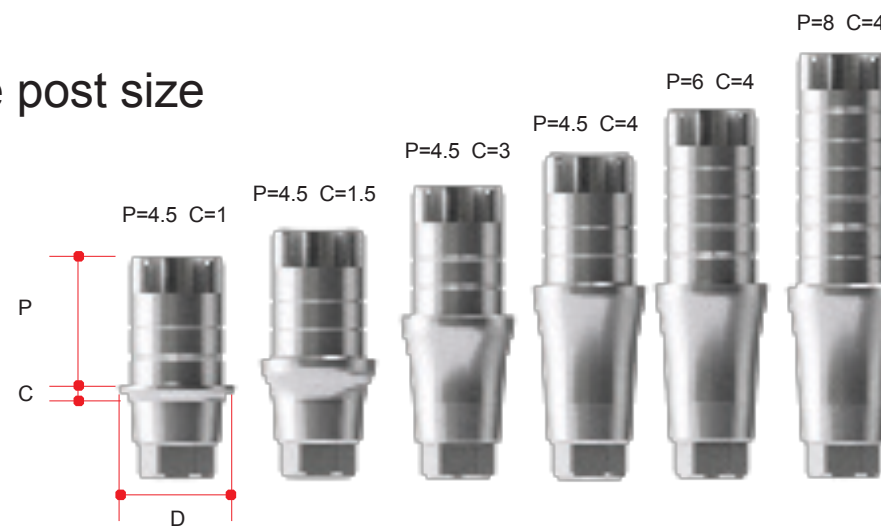
\* **Coming soon**

Ti_base Option In Exocad		Product Information			
		Diameter (mm)	Length (mm)	Type	Ref.C
TiGEN	Ø 10	10	20	Hex	<a href="#">ARTR1020.MTN</a>
	Ø 12	12			ARTR1220.MTN
	Ø 10	10		Non-Hex	<a href="#">ARTR1020N.MTN</a>
	Ø 12	12			ARTR1220N.MTN



# ZrGEN

\* Different groove number depend on the post size  
 P=4.5 > groove number 2ea  
 P=5 > groove number 3ea  
 P=6 groove number 4ea  
 P=8 > groove number 6ea



Library Name **MEGAGEN (OFR-ZU)**

# 3shape



Download [www.r2gate.com](http://www.r2gate.com)  
 [Official]TiGEN\_AnyRidge(Int)\_3shape\_v1.12  
 [Official]ZrGEN\_AnyRidge(Int)\_3shape\_v1.12

\* Coming soon

Zr_base Option In Exocad		Product Information				
		Diameter (mm)	Cuff Height (mm)	Post Height (mm)	Type	Ref.C
NEW AnyRidge Sys. ZrGEN Distribution	ZrGEN 4015_S09(13)	4.0	0.6	4.5	Hex	AANIPR4015.MTN
	ZrGEN 4016			6		AANIPR4016.MTN
	ZrGEN 4018			8		AANIPR4018.MTN
	ZrGEN 4025		1.5	4.5		AANIPR4025.MTN
	ZrGEN 4026			6		AANIPR4026.MTN
	ZrGEN 4028			8		AANIPR4028.MTN
	ZrGEN 4035		3.0	4.5		AANIPR4035.MTN
	ZrGEN 4036			6		AANIPR4036.MTN
	ZrGEN 4038			8		AANIPR4038.MTN
	ZrGEN 4045		4.0	4.5		AANIPR4045.MTN
	ZrGEN 4046			6		AANIPR4046.MTN
	ZrGEN 4048			8		AANIPR4048.MTN
	ZrGEN 4015	4.0	0.6	4.5	Non-Hex	AANIPR4015N.MTN
	ZrGEN 4016			6		AANIPR4016N.MTN
	ZrGEN 4018			8		AANIPR4018N.MTN
	ZrGEN 4025		1.5	4.5		AANIPR4025N.MTN
	ZrGEN 4026			6		AANIPR4026N.MTN
	ZrGEN 4028			8		AANIPR4028N.MTN
	ZrGEN 4035		3.0	4.5		AANIPR4035N.MTN
	ZrGEN 4036			6		AANIPR4036N.MTN
	ZrGEN 4038			8		AANIPR4038N.MTN
	ZrGEN 4045		4.0	4.5		AANIPR4045N.MTN
	ZrGEN 4046			6		AANIPR4046N.MTN
	ZrGEN 4048			8		AANIPR4048N.MTN
	ZrGEN 4515	4.5	0.6	4.5	Hex	AANIPR4015.MTN
	ZrGEN 4516			6		AANIPR4016.MTN
	ZrGEN 4518			8		AANIPR4018.MTN
	ZrGEN 4525		1.5	4.5		AANIPR4025.MTN
	ZrGEN 4526			6		AANIPR4026.MTN
	ZrGEN 4528			8		AANIPR4028.MTN
	ZrGEN 4535		3.0	4.5		AANIPR4035.MTN
	ZrGEN 4536			6		AANIPR4036.MTN
	ZrGEN 4538			8		AANIPR4038.MTN
	ZrGEN 4545		4.0	4.5		AANIPR4045.MTN
	ZrGEN 4546			6		AANIPR4046.MTN
	ZrGEN 4548			8		AANIPR4048.MTN
	ZrGEN 4515	4.5	0.6	4.5	Non-Hex	AANIPR4515N.MTN
	ZrGEN 4516			6		AANIPR4516N.MTN
	ZrGEN 4518			8		AANIPR4518N.MTN
	ZrGEN 4525		1.5	4.5		AANIPR4525N.MTN
	ZrGEN 4526			6		AANIPR4526N.MTN
	ZrGEN 4528			8		AANIPR4528N.MTN
	ZrGEN 4535		3.0	4.5		AANIPR4535N.MTN
	ZrGEN 4536			6		AANIPR4536N.MTN
	ZrGEN 4538			8		AANIPR4538N.MTN
	ZrGEN 4545		4.0	4.5		AANIPR4545N.MTN
	ZrGEN 4546			6		AANIPR4546N.MTN
	ZrGEN 4548			8		AANIPR4548N.MTN

\* ZrGEN Library Cement gap 35 μ  
 After the ZrGEN code, S09 or S13 means the length of the scan body

# TiGEN



Library Name **MEGAGEN (OFR-ZU)**

# 3shape



Download [www.r2gate.com](http://www.r2gate.com)  
 [Official]TiGEN\_AnyRidge(Int)\_3shape\_v1.12  
 [Official]ZrGEN\_AnyRidge(Int)\_3shape\_v1.12

\* Coming soon

Ti_base Option In 3shape		Product Information			
System	Kit	Diameter (mm)	Length (mm)	Type	Ref.C
NEW AnyRidge Int. TiGEN Distribution	<a href="#">TiGEN1020_S09(13)</a>	10	20	Hex	<a href="#">ARTR1020.MTN</a>
	<a href="#">TiGEN1220_S09(13)</a>	12	20		<a href="#">ARTR1220.MTN</a>
	<a href="#">TiGEN1020_S09(13)</a>	10	20	Non-Hex	<a href="#">ARTR1020N.MTN</a>
	<a href="#">TiGEN1220_S09(13)</a>	12	20		<a href="#">ARTR1220N.MTN</a>



# ZrGEN

\* Different groove number depend on the post size  
 P=4.5 > groove number 2ea  
 P=5 > groove number 3ea  
 P=6 groove number 4ea  
 P=8 > groove number 6ea



Library Name MGG ARI(SH=H04,05,07)



Download [www.r2gate.com](http://www.r2gate.com)  
 [Official]ZrGEN & TiGEN\_AnyRidge(Int)\_Exocad\_v1.12(with Scan Healing)

\* Coming soon

Product Information

Zr_base Option In Exceed	Diameter (mm)	Cuff Height (mm)	Post Height (mm)	Type	Ref.C
ZrGEN 4015	4.0	0.6	4.5	Hex	AANIPR4015.MTN
ZrGEN 4016			6		AANIPR4016.MTN
ZrGEN 4018			8		AANIPR4018.MTN
ZrGEN 4025		1.5	4.5		AANIPR4025.MTN
ZrGEN 4026			6		AANIPR4026.MTN
ZrGEN 4028			8		AANIPR4028.MTN
ZrGEN 4035		3.0	4.5		AANIPR4035.MTN
ZrGEN 4036			6		AANIPR4036.MTN
ZrGEN 4038			8		AANIPR4038.MTN
ZrGEN 4045		4.0	4.5		AANIPR4045.MTN
ZrGEN 4046			6		AANIPR4046.MTN
ZrGEN 4048			8		AANIPR4048.MTN
ZrGEN 4015	4.0	0.6	4.5	Non-Hex	AANIPR4015N.MTN
ZrGEN 4016			6		AANIPR4016N.MTN
ZrGEN 4018			8		AANIPR4018N.MTN
ZrGEN 4025		1.5	4.5		AANIPR4025N.MTN
ZrGEN 4026			6		AANIPR4026N.MTN
ZrGEN 4028			8		AANIPR4028N.MTN
ZrGEN 4035		3.0	4.5		AANIPR4035N.MTN
ZrGEN 4036			6		AANIPR4036N.MTN
ZrGEN 4038			8		AANIPR4038N.MTN
ZrGEN 4045		4.0	4.5		AANIPR4045N.MTN
ZrGEN 4046			6		AANIPR4046N.MTN
ZrGEN 4048			8		AANIPR4048N.MTN
ZrGEN 4515	4.5	0.6	4.5	Hex	AANIPR4015.MTN
ZrGEN 4516			6		AANIPR4016.MTN
ZrGEN 4518			8		AANIPR4018.MTN
ZrGEN 4525		1.5	4.5		AANIPR4025.MTN
ZrGEN 4526			6		AANIPR4026.MTN
ZrGEN 4528			8		AANIPR4028.MTN
ZrGEN 4535		3.0	4.5		AANIPR4035.MTN
ZrGEN 4536			6		AANIPR4036.MTN
ZrGEN 4538			8		AANIPR4038.MTN
ZrGEN 4545		4.0	4.5		AANIPR4045.MTN
ZrGEN 4546			6		AANIPR4046.MTN
ZrGEN 4548			8		AANIPR4048.MTN
ZrGEN 4515	4.5	0.6	4.5	Non-Hex	AANIPR4515N.MTN
ZrGEN 4516			6		AANIPR4516N.MTN
ZrGEN 4518			8		AANIPR4518N.MTN
ZrGEN 4525		1.5	4.5		AANIPR4525N.MTN
ZrGEN 4526			6		AANIPR4526N.MTN
ZrGEN 4528			8		AANIPR4528N.MTN
ZrGEN 4535		3.0	4.5		AANIPR4535N.MTN
ZrGEN 4536			6		AANIPR4536N.MTN
ZrGEN 4538			8		AANIPR4538N.MTN
ZrGEN 4545		4.0	4.5		AANIPR4545N.MTN
ZrGEN 4546			6		AANIPR4546N.MTN
ZrGEN 4548			8		AANIPR4548N.MTN

\* ZrGEN Library Cement gap 0, 15, 25, 50 μ

**TiGEN**



Library Name **MGG ARI(SH=H04,05,07)**

**exocad**



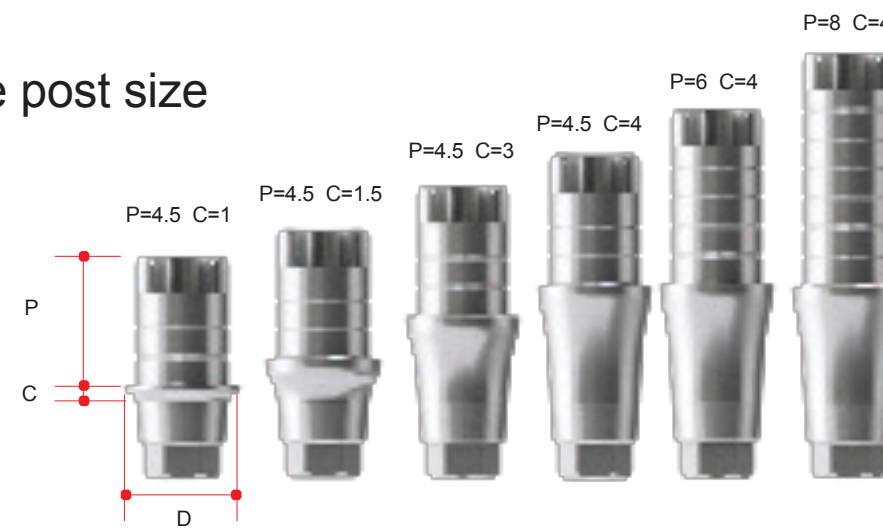
Download [www.r2gate.com](http://www.r2gate.com)  
 [Official]ZrGEN & TiGEN\_AnyRidge(Int)\_Exocad\_v1.12(with Scan Healing)

**\* Coming soon**

Ti_base Option In Exocad		Product Information			
		Diameter (mm)	Length (mm)	Type	Ref.C
TiGEN	Ø 10	10	20	Hex	<a href="#">ARTR1020.MTN</a>
	Ø 12	12			<a href="#">ARTR1220.MTN</a>
	Ø 10	10		Non-Hex	<a href="#">ARTR1020N.MTN</a>
	Ø 12	12			<a href="#">ARTR1220N.MTN</a>

# ZrGEN

\* Different groove number depend on the post size  
 P=4.5 > groove number 2ea  
 P=5 > groove number 3ea  
 P=6 groove number 4ea  
 P=8 > groove number 6ea



Library Name **MGG ARI(SH=H04,05,07)**

# 3shape



Download [www.r2gate.com](http://www.r2gate.com)  
 [Official]TiGEN\_AnyRidge(Int)\_3shape\_v2.04(with Scan Healing, RP Analog)  
 [Official]ZrGEN\_AnyRidge(Int)\_3shape\_v2.04(with Scan Healing, RP Analog)

**\* Coming soon**

Zr_base Option In Exocad		Product Information				
		Diameter (mm)	Cuff Height (mm)	Post Height (mm)	Type	Ref.C
ZrGEN_AnyRidge (with SH)_v2.05	ZrGEN 4015_SPC04(05,07)	4.0	0.6	4.5	Hex	AANIPR4015.MTN
	ZrGEN 4016			6		AANIPR4016.MTN
	ZrGEN 4018			8		AANIPR4018.MTN
	ZrGEN 4025		1.5	4.5		AANIPR4025.MTN
	ZrGEN 4026			6		AANIPR4026.MTN
	ZrGEN 4028			8		AANIPR4028.MTN
	ZrGEN 4035		3.0	4.5		AANIPR4035.MTN
	ZrGEN 4036			6		AANIPR4036.MTN
	ZrGEN 4038			8		AANIPR4038.MTN
	ZrGEN 4045		4.0	4.5		AANIPR4045.MTN
	ZrGEN 4046			6		AANIPR4046.MTN
	ZrGEN 4048			8		AANIPR4048.MTN
	ZrGEN 4015	4.0	0.6	4.5	Non-Hex	AANIPR4015N.MTN
	ZrGEN 4016			6		AANIPR4016N.MTN
	ZrGEN 4018			8		AANIPR4018N.MTN
	ZrGEN 4025		1.5	4.5		AANIPR4025N.MTN
	ZrGEN 4026			6		AANIPR4026N.MTN
	ZrGEN 4028			8		AANIPR4028N.MTN
	ZrGEN 4035		3.0	4.5		AANIPR4035N.MTN
	ZrGEN 4036			6		AANIPR4036N.MTN
	ZrGEN 4038			8		AANIPR4038N.MTN
	ZrGEN 4045		4.0	4.5		AANIPR4045N.MTN
	ZrGEN 4046			6		AANIPR4046N.MTN
	ZrGEN 4048			8		AANIPR4048N.MTN
	ZrGEN 4515	4.5	0.6	4.5	Hex	AANIPR4015.MTN
	ZrGEN 4516			6		AANIPR4016.MTN
	ZrGEN 4518			8		AANIPR4018.MTN
	ZrGEN 4525		1.5	4.5		AANIPR4025.MTN
	ZrGEN 4526			6		AANIPR4026.MTN
	ZrGEN 4528			8		AANIPR4028.MTN
	ZrGEN 4535		3.0	4.5		AANIPR4035.MTN
	ZrGEN 4536			6		AANIPR4036.MTN
	ZrGEN 4538			8		AANIPR4038.MTN
	ZrGEN 4545		4.0	4.5		AANIPR4045.MTN
	ZrGEN 4546			6		AANIPR4046.MTN
	ZrGEN 4548			8		AANIPR4048.MTN
	ZrGEN 4515	4.5	0.6	4.5	Non-Hex	AANIPR4515N.MTN
	ZrGEN 4516			6		AANIPR4516N.MTN
	ZrGEN 4518			8		AANIPR4518N.MTN
	ZrGEN 4525		1.5	4.5		AANIPR4525N.MTN
	ZrGEN 4526			6		AANIPR4526N.MTN
	ZrGEN 4528			8		AANIPR4528N.MTN
	ZrGEN 4535		3.0	4.5		AANIPR4535N.MTN
	ZrGEN 4536			6		AANIPR4536N.MTN
	ZrGEN 4538			8		AANIPR4538N.MTN
	ZrGEN 4545		4.0	4.5		AANIPR4545N.MTN
	ZrGEN 4546			6		AANIPR4546N.MTN
	ZrGEN 4548			8		AANIPR4548N.MTN

\* ZrGEN Library Cement gap 35 μ  
 After the ZrGEN code, SPC04 or 05,07 means the length of the scan body



# TiGEN



Library Name MGG ARI(SH=H04,05,07)

\* Coming soon

# 3shape



Download [www.r2gate.com](http://www.r2gate.com)

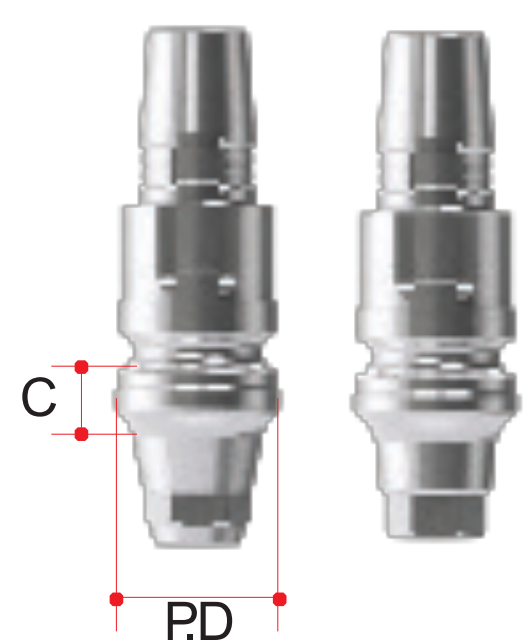
[Official]TiGEN\_AnyRidge(Int)\_3shape\_v2.04(with Scan Healing, RP Analog)

[Official]ZrGEN\_AnyRidge(Int)\_3shape\_v2.04(with Scan Healing, RP Analog)

Ti_base Option In Exocad		Product Information			
System	Kit	Diameter (mm)	Length (mm)	Type	Ref.C
TiGEN_AnyRidge (with SH)_v2.05	<a href="#">TiGEN1020_SPC04,05,07</a>	10	20	Hex	<a href="#">ARTR1020.MTN</a>
	<a href="#">TiGEN1220_SPC04,05,07</a>	12			<a href="#">ARTR1220.MTN</a>
	<a href="#">TiGEN1020_SPC04,05,07</a>	10		Non-Hex	<a href="#">ARTR1020N.MTN</a>
	<a href="#">TiGEN1220_SPC04,05,07</a>	12			<a href="#">ARTR1220N.MTN</a>

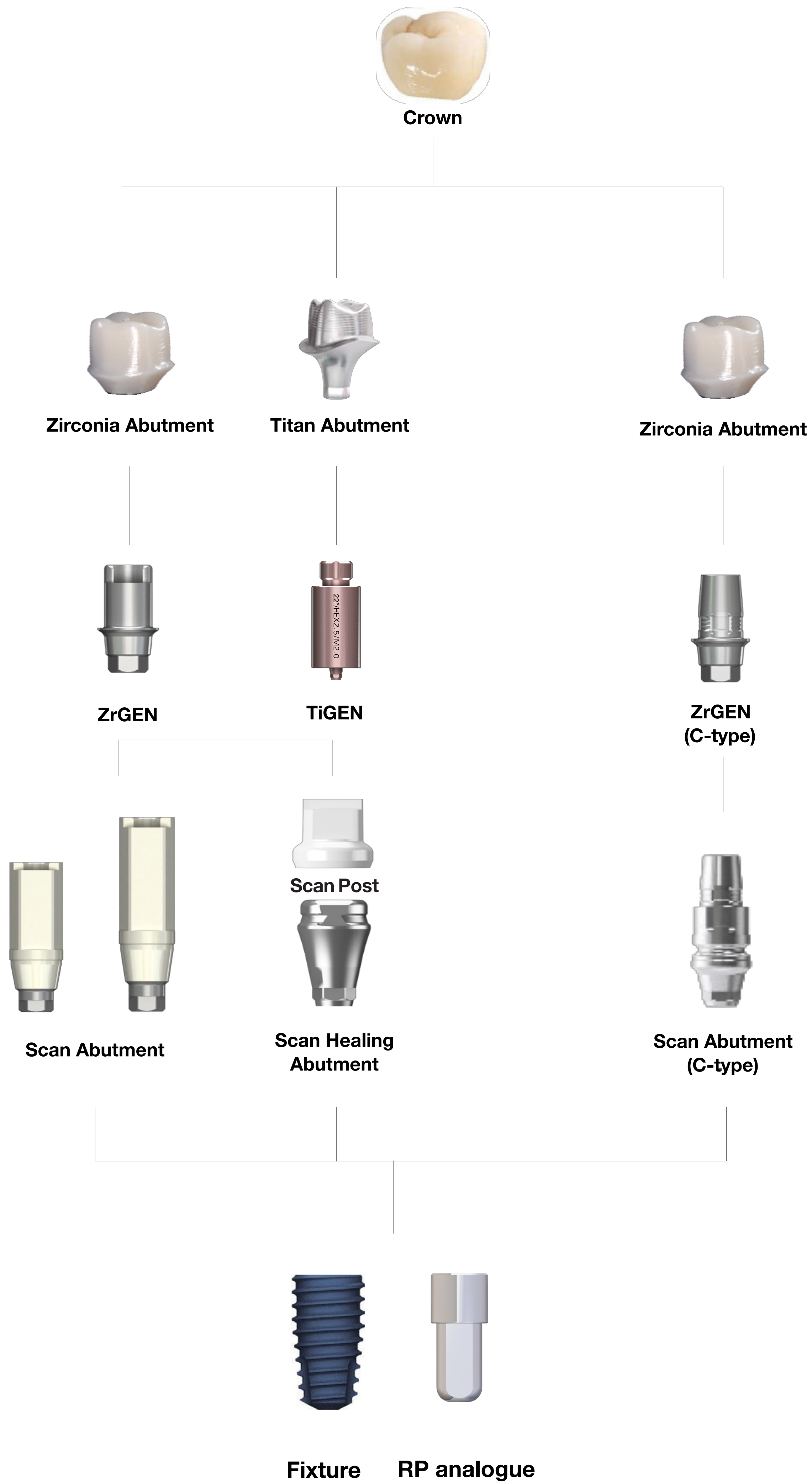
# C-type [AR]

## Scan Abutment C-type [AR]



Diameter	Length	Ref.C	Post size	
Ø3.9	0.5	Small	ARICSS3405T	
	1		ARICSS3410T	
	2		ARICSS3420T	
Ø4.3	0.5		ARICSS3805T	
	1		ARICSS3810T	
	2		ARICSS3820T	
Ø5.5	0.5		Large	ARICSL4505T
	1			ARICSL4510T
	2			ARICSL4520T

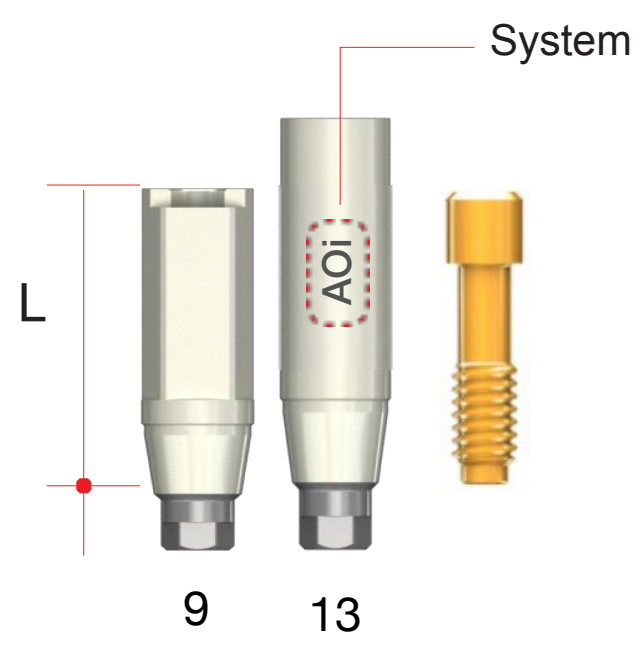
# ➔ AnyOne





# Scan abutment

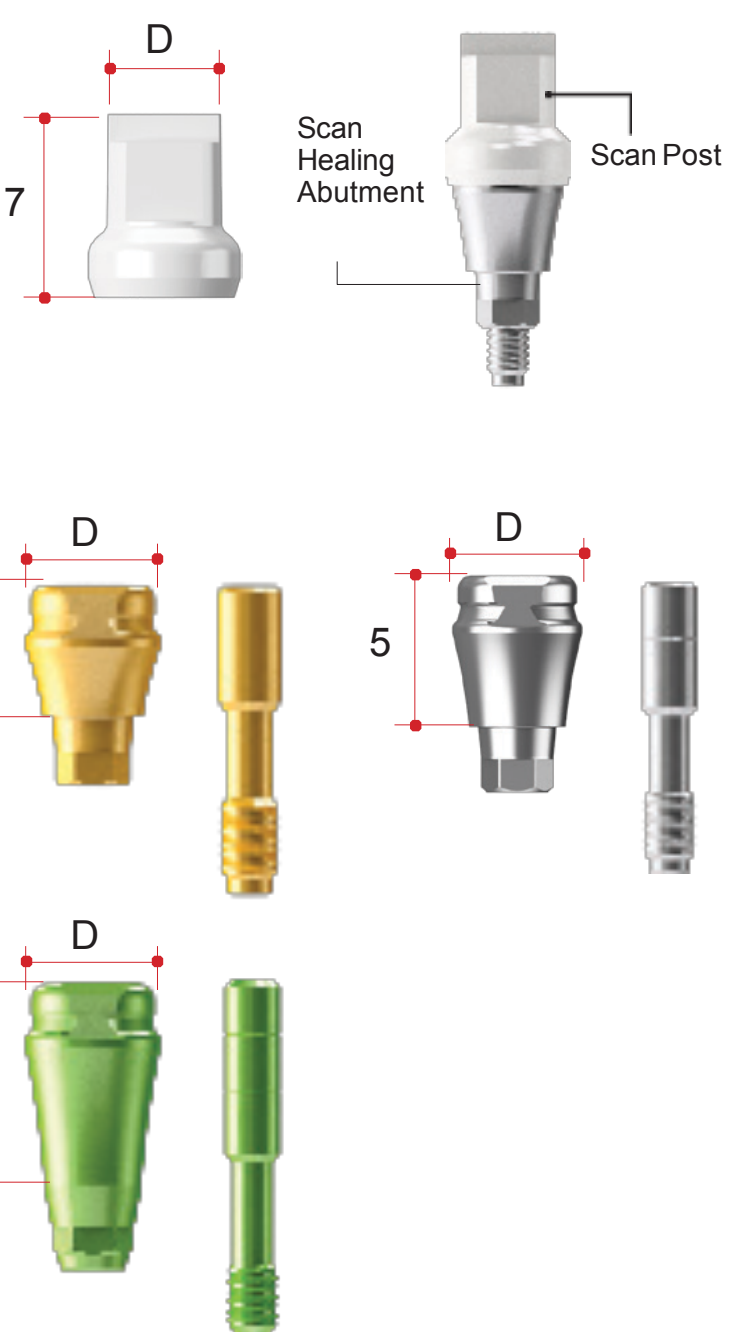
Supporting Dental CAD  
exocad, 3shape, DentalWing



## Scan Abutment [AO]

Diameter	Length	Ref.C	Item Code in the Library	
			exocad Library	3shape Library
4.0	9	AAOISR4009T	MGG AO Int.(SCAN09)	NEW AnyOne Sys. ZrGEN Distribution
	13	AAOISR4013T	MGG AO Int.(SCAN13)	NEW AnyOne Int. TiGEN Distribution

## Scan Healing Abutment [AO]



Diameter	Scan Post	Height	Ref.C	exocad Library	3shape Library
Ø4.0	SP4007.MTN	4	AOISH4004T	MGG AOI(SH=H04)	MGG AOI(SH=H04)
		5	AOISH4005T	MGG AOI(SH=H05)	MGG AOI(SH=H05)
		7	AOISH4007T	MGG AOI(SH=H07)	MGG AOI(SH=H07)
Ø4.5	SP5007.MTN	4	AOISH4504T	MGG AOI(SH=H04)	MGG AOI(SH=H04)
		5	AOISH4505T	MGG AOI(SH=H05)	MGG AOI(SH=H05)
		7	AOISH4507T	MGG AOI(SH=H07)	MGG AOI(SH=H07)
Ø5.5	SP6007.MTN	4	AOISH5504T	MGG AOI(SH=H04)	MGG AOI(SH=H04)
		5	AOISH5505T	MGG AOI(SH=H05)	MGG AOI(SH=H05)
		7	AOISH5507T	MGG AOI(SH=H07)	MGG AOI(SH=H07)
Ø6.5	SP7007.MTN	4	AOISH6504T	MGG AOI(SH=H04)	MGG AOI(SH=H04)
		5	AOISH6505T	MGG AOI(SH=H05)	MGG AOI(SH=H05)
		7	AOISH6507T	MGG AOI(SH=H07)	MGG AOI(SH=H07)

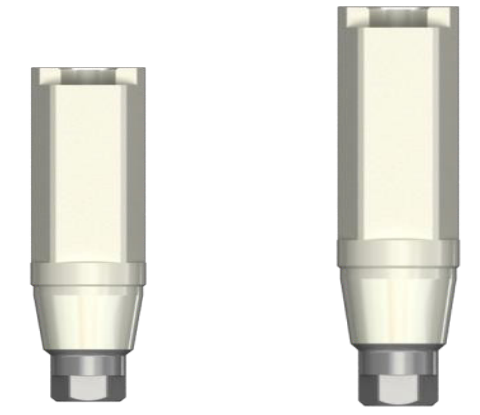
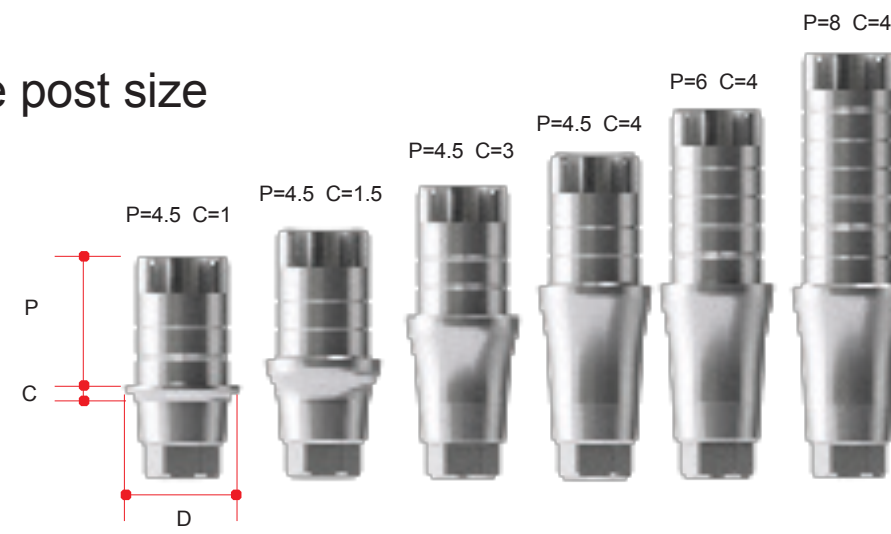


## Scan Post Carrier

System	Length	Ref.C
Common	19	SPC16

# ZrGEN

\* Different groove number depend on the post size  
 P=4.5 > groove number 2ea  
 P=5 > groove number 3ea  
 P=6 groove number 4ea  
 P=8 > groove number 6ea



Library Name **MGG AO Int. (SCAN09)** **MGG AO Int. (SCAN13)**



Download [www.r2gate.com](http://www.r2gate.com)  
 [Official]ZrGEN & TiGEN\_AnyOne(Int)\_Exocad\_v1.12

Zr_base Option In Exocad	Product Information				
	Diameter (mm)	Cuff Height (mm)	Post Height (mm)	Type	Ref.C
ZrGEN 4015	4.0	0.6	4.5	Hex	AAOIPR4015.MTN
ZrGEN 4016			6		AAOIPR4016.MTN
ZrGEN 4018			8		AAOIPR4018.MTN
ZrGEN 4025		1.5	4.5		AAOIPR4025.MTN
ZrGEN 4026			6		AAOIPR4026.MTN
ZrGEN 4028			8		AAOIPR4028.MTN
ZrGEN 4035		3.0	4.5		AAOIPR4035.MTN
ZrGEN 4036			6		AAOIPR4036.MTN
ZrGEN 4038			8		AAOIPR4038.MTN
ZrGEN 4045		4.0	4.5		AAOIPR4045.MTN
ZrGEN 4046			6		AAOIPR4046.MTN
ZrGEN 4048			8		AAOIPR4048.MTN
ZrGEN 4015	4.0	0.6	4.5	Non-Hex	AAOIPR4015N.MTN
ZrGEN 4016			6		AAOIPR4016N.MTN
ZrGEN 4018			8		AAOIPR4018N.MTN
ZrGEN 4025		1.5	4.5		AAOIPR4025N.MTN
ZrGEN 4026			6		AAOIPR4026N.MTN
ZrGEN 4028			8		AAOIPR4028N.MTN
ZrGEN 4035		3.0	4.5		AAOIPR4035N.MTN
ZrGEN 4036			6		AAOIPR4036N.MTN
ZrGEN 4038			8		AAOIPR4038N.MTN
ZrGEN 4045		4.0	4.5		AAOIPR4045N.MTN
ZrGEN 4046			6		AAOIPR4046N.MTN
ZrGEN 4048			8		AAOIPR4048N.MTN
ZrGEN 4515	4.5	0.6	4.5	Hex	AAOIPR4015.MTN
ZrGEN 4516			6		AAOIPR4016.MTN
ZrGEN 4518			8		AAOIPR4018.MTN
ZrGEN 4525		1.5	4.5		AAOIPR4025.MTN
ZrGEN 4526			6		AAOIPR4026.MTN
ZrGEN 4528			8		AAOIPR4028.MTN
ZrGEN 4535		3.0	4.5		AAOIPR4035.MTN
ZrGEN 4536			6		AAOIPR4036.MTN
ZrGEN 4538			8		AAOIPR4038.MTN
ZrGEN 4545		4.0	4.5		AAOIPR4045.MTN
ZrGEN 4546			6		AAOIPR4046.MTN
ZrGEN 4548			8		AAOIPR4048.MTN
ZrGEN 4515	4.5	0.6	4.5	Non-Hex	AAOIPR4515N.MTN
ZrGEN 4516			6		AAOIPR4516N.MTN
ZrGEN 4518			8		AAOIPR4518N.MTN
ZrGEN 4525		1.5	4.5		AAOIPR4525N.MTN
ZrGEN 4526			6		AAOIPR4526N.MTN
ZrGEN 4528			8		AAOIPR4528N.MTN
ZrGEN 4535		3.0	4.5		AAOIPR4535N.MTN
ZrGEN 4536			6		AAOIPR4536N.MTN
ZrGEN 4538			8		AAOIPR4538N.MTN
ZrGEN 4545		4.0	4.5		AAOIPR4545N.MTN
ZrGEN 4546			6		AAOIPR4546N.MTN
ZrGEN 4548			8		AAOIPR4548N.MTN

\* ZrGEN Library Cement gap 0, 15, 25, 50 μ


**TiGEN**



Library Name **MGG AO Int. (SCAN09)**

**MGG AO Int. (SCAN13)**

\* Coming soon

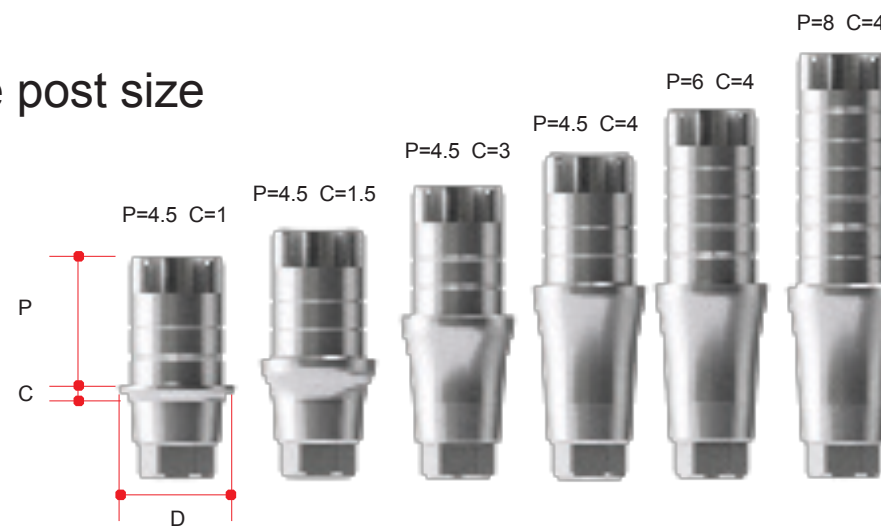
**exocad**  Download [www.r2gate.com](http://www.r2gate.com)  
[Official]ZrGEN & TiGEN\_AnyOne(Int)\_Exocad\_v1.12

Ti_base Option In Exocad		Product Information			
		Diameter (mm)	Length (mm)	Type	Ref.C
TiGEN	Ø 10	10	20	Hex	<a href="#">AOTR1020.MTN</a>
	Ø 12	12			<a href="#">AOTR1220.MTN</a>
	Ø 10	10		Non-Hex	<a href="#">AOTR1020N.MTN</a>
	Ø 12	12			<a href="#">AOTR1220N.MTN</a>



# ZrGEN

\* Different groove number depend on the post size  
 P=4.5 > groove number 2ea  
 P=5 > groove number 3ea  
 P=6 groove number 4ea  
 P=8 > groove number 6ea



Library Name **MEGAGEN (OFR-ZU)**

# 3shape



Download [www.r2gate.com](http://www.r2gate.com)  
 [Official]TiGEN\_AnyOne(Int)\_3shape\_v1.12  
 [Official]ZrGEN\_AnyOne(Int)\_3shape\_v1.12

Zr_base Option In Exocad		Product Information				
		Diameter (mm)	Cuff Height (mm)	Post Height (mm)	Type	Ref.C
NEW AnyOne Sys. ZrGEN Distribution	ZrGEN 4015_S09(13)	4.0	0.6	4.5	Hex	AAOIPR4015.MTN
	ZrGEN 4016			6		AAOIPR4016.MTN
	ZrGEN 4018			8		AAOIPR4018.MTN
	ZrGEN 4025		1.5	4.5		AAOIPR4025.MTN
	ZrGEN 4026			6		AAOIPR4026.MTN
	ZrGEN 4028			8		AAOIPR4028.MTN
	ZrGEN 4035		3.0	4.5		AAOIPR4035.MTN
	ZrGEN 4036			6		AAOIPR4036.MTN
	ZrGEN 4038			8		AAOIPR4038.MTN
	ZrGEN 4045		4.0	4.5		AAOIPR4045.MTN
	ZrGEN 4046			6		AAOIPR4046.MTN
	ZrGEN 4048			8		AAOIPR4048.MTN
	ZrGEN 4015	4.0	0.6	4.5	Non-Hex	AAOIPR4015N.MTN
	ZrGEN 4016			6		AAOIPR4016N.MTN
	ZrGEN 4018			8		AAOIPR4018N.MTN
	ZrGEN 4025		1.5	4.5		AAOIPR4025N.MTN
	ZrGEN 4026			6		AAOIPR4026N.MTN
	ZrGEN 4028			8		AAOIPR4028N.MTN
	ZrGEN 4035		3.0	4.5		AAOIPR4035N.MTN
	ZrGEN 4036			6		AAOIPR4036N.MTN
	ZrGEN 4038			8		AAOIPR4038N.MTN
	ZrGEN 4045		4.0	4.5		AAOIPR4045N.MTN
	ZrGEN 4046			6		AAOIPR4046N.MTN
	ZrGEN 4048			8		AAOIPR4048N.MTN
	ZrGEN 4515	4.5	0.6	4.5	Hex	AAOIPR4015.MTN
	ZrGEN 4516			6		AAOIPR4016.MTN
	ZrGEN 4518			8		AAOIPR4018.MTN
	ZrGEN 4525		1.5	4.5		AAOIPR4025.MTN
	ZrGEN 4526			6		AAOIPR4026.MTN
	ZrGEN 4528			8		AAOIPR4028.MTN
	ZrGEN 4535		3.0	4.5		AAOIPR4035.MTN
	ZrGEN 4536			6		AAOIPR4036.MTN
	ZrGEN 4538			8		AAOIPR4038.MTN
	ZrGEN 4545		4.0	4.5		AAOIPR4045.MTN
	ZrGEN 4546			6		AAOIPR4046.MTN
	ZrGEN 4548			8		AAOIPR4048.MTN
	ZrGEN 4515	4.5	0.6	4.5	Non-Hex	AAOIPR4515N.MTN
	ZrGEN 4516			6		AAOIPR4516N.MTN
	ZrGEN 4518			8		AAOIPR4518N.MTN
	ZrGEN 4525		1.5	4.5		AAOIPR4525N.MTN
	ZrGEN 4526			6		AAOIPR4526N.MTN
	ZrGEN 4528			8		AAOIPR4528N.MTN
	ZrGEN 4535		3.0	4.5		AAOIPR4535N.MTN
	ZrGEN 4536			6		AAOIPR4536N.MTN
	ZrGEN 4538			8		AAOIPR4538N.MTN
	ZrGEN 4545		4.0	4.5		AAOIPR4545N.MTN
	ZrGEN 4546			6		AAOIPR4546N.MTN
	ZrGEN 4548			8		AAOIPR4548N.MTN

\* ZrGEN Library Cement gap 35 μ  
 After the ZrGEN code, S09 or S13 means the length of the scan body

**TiGEN**



Library Name **TG(MGG-OFR)**

**3shape**



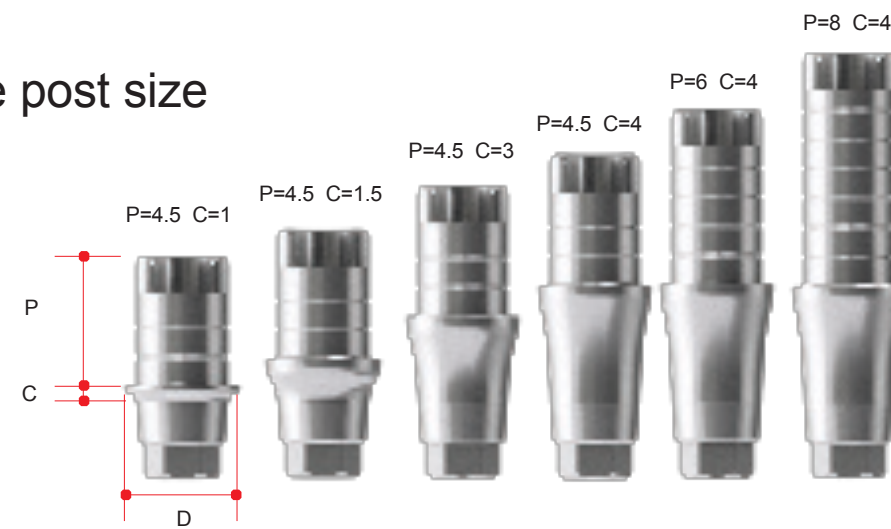
Download [www.r2gate.com](http://www.r2gate.com)  
 [Official]TiGEN\_AnyOne(Int)\_3shape\_v1.12  
 [Official]ZrGEN\_AnyOne(Int)\_3shape\_v1.12

\* **Coming soon**

Ti_base Option In 3shape		Product Information			
System	Kit	Diameter (mm)	Length (mm)	Type	Ref.C
NEW AnyOne Int. TiGEN Distribution	<a href="#">TiGEN1020_S09(S13)</a>	10	20	Hex	<a href="#">AOTR1020.MTN</a>
	<a href="#">TiGEN1220_S09(S13)</a>	12			<a href="#">AOTR1220.MTN</a>
	<a href="#">TiGEN1020_S09(S13)</a>	10		Non-Hex	<a href="#">AOTR1020N.MTN</a>
	<a href="#">TiGEN1220_S09(S13)</a>	12			<a href="#">AOTR1220N.MTN</a>

# ZrGEN

\* Different groove number depend on the post size  
 P=4.5 > groove number 2ea  
 P=5 > groove number 3ea  
 P=6 > groove number 4ea  
 P=8 > groove number 6ea



Library Name MGG AOI(SH=H04,05,07)

exocad



Download [www.r2gate.com](http://www.r2gate.com)  
 [Official]ZrGEN & TiGEN\_AnyOne(Int)\_Exocad\_v1.12(with Scan Healing)

\* Coming soon

Zr_base Option In Exocad Prosthetic Code	Product Information				
	Diameter (mm)	Cuff Height (mm)	Post Height (mm)	Type	Ref.C
ZrGEN 4015	4.0	0.6	4.5	Hex	AAOIPR4015.MTN
ZrGEN 4016			6		AAOIPR4016.MTN
ZrGEN 4018			8		AAOIPR4018.MTN
ZrGEN 4025		1.5	4.5		AAOIPR4025.MTN
ZrGEN 4026			6		AAOIPR4026.MTN
ZrGEN 4028			8		AAOIPR4028.MTN
ZrGEN 4035		3.0	4.5		AAOIPR4035.MTN
ZrGEN 4036			6		AAOIPR4036.MTN
ZrGEN 4038			8		AAOIPR4038.MTN
ZrGEN 4045		4.0	4.5		AAOIPR4045.MTN
ZrGEN 4046			6		AAOIPR4046.MTN
ZrGEN 4048			8		AAOIPR4048.MTN
ZrGEN 4015	4.0	0.6	4.5	Non-Hex	AAOIPR4015N.MTN
ZrGEN 4016			6		AAOIPR4016N.MTN
ZrGEN 4018			8		AAOIPR4018N.MTN
ZrGEN 4025		1.5	4.5		AAOIPR4025N.MTN
ZrGEN 4026			6		AAOIPR4026N.MTN
ZrGEN 4028			8		AAOIPR4028N.MTN
ZrGEN 4035		3.0	4.5		AAOIPR4035N.MTN
ZrGEN 4036			6		AAOIPR4036N.MTN
ZrGEN 4038			8		AAOIPR4038N.MTN
ZrGEN 4045		4.0	4.5		AAOIPR4045N.MTN
ZrGEN 4046			6		AAOIPR4046N.MTN
ZrGEN 4048			8		AAOIPR4048N.MTN
ZrGEN 4515	4.5	0.6	4.5	Hex	AAOIPR4015.MTN
ZrGEN 4516			6		AAOIPR4016.MTN
ZrGEN 4518			8		AAOIPR4018.MTN
ZrGEN 4525		1.5	4.5		AAOIPR4025.MTN
ZrGEN 4526			6		AAOIPR4026.MTN
ZrGEN 4528			8		AAOIPR4028.MTN
ZrGEN 4535		3.0	4.5		AAOIPR4035.MTN
ZrGEN 4536			6		AAOIPR4036.MTN
ZrGEN 4538			8		AAOIPR4038.MTN
ZrGEN 4545		4.0	4.5		AAOIPR4045.MTN
ZrGEN 4546			6		AAOIPR4046.MTN
ZrGEN 4548			8		AAOIPR4048.MTN
ZrGEN 4515	4.5	0.6	4.5	Non-Hex	AAOIPR4515N.MTN
ZrGEN 4516			6		AAOIPR4516N.MTN
ZrGEN 4518			8		AAOIPR4518N.MTN
ZrGEN 4525		1.5	4.5		AAOIPR4525N.MTN
ZrGEN 4526			6		AAOIPR4526N.MTN
ZrGEN 4528			8		AAOIPR4528N.MTN
ZrGEN 4535		3.0	4.5		AAOIPR4535N.MTN
ZrGEN 4536			6		AAOIPR4536N.MTN
ZrGEN 4538			8		AAOIPR4538N.MTN
ZrGEN 4545		4.0	4.5		AAOIPR4545N.MTN
ZrGEN 4546			6		AAOIPR4546N.MTN
ZrGEN 4548			8		AAOIPR4548N.MTN

\* ZrGEN Library Cement gap 0, 15, 25, 50 μ



**TiGEN**



Library Name **MGG AOI(SH=H04,05,07)**

**\* Coming soon**

**exocad**



Download [www.r2gate.com](http://www.r2gate.com)  
 [Official]ZrGEN & TiGEN\_AnyOne(Int)\_Exocad\_v1.12(with Scan Healing)

Ti_base Option In Exocad		Product Information			
		Diameter (mm)	Length (mm)	Type	Ref.C
TiGEN	Ø 10	10	20	Hex	<a href="#">AOTR1020.MTN</a>
	Ø 12	12			<a href="#">AOTR1220.MTN</a>
	Ø 10	10		Non-Hex	<a href="#">AOTR1020N.MTN</a>
	Ø 12	12			<a href="#">AOTR1220N.MTN</a>

# ZrGEN

\* Different groove number depend on the post size  
 P=4.5 > groove number 2ea  
 P=5 > groove number 3ea  
 P=6 > groove number 4ea  
 P=8 > groove number 6ea



Library Name **MGG AOI(SH=H04,05,07)**

# 3shape



Download [www.r2gate.com](http://www.r2gate.com)

[Official]TiGEN\_AnyOne(Int)\_3shape\_v2.04(with Scan Healing, RP Analog)

[Official]ZrGEN\_AnyOne(Int)\_3shape\_v2.04(with Scan Healing, RP Analog)

\* **Coming soon**

Zr_base Option In Exocad		Product Information				
		Diameter (mm)	Cuff Height (mm)	Post Height (mm)	Type	Ref.C
ZrGEN_AnyOne (with SH)_v2.05	ZrGEN 4015_SPC04(05,07)	4.0	0.6	4.5	Hex	AAOIPR4015.MTN
	ZrGEN 4016			6		AAOIPR4016.MTN
	ZrGEN 4018			8		AAOIPR4018.MTN
	ZrGEN 4025		1.5	4.5		AAOIPR4025.MTN
	ZrGEN 4026			6		AAOIPR4026.MTN
	ZrGEN 4028			8		AAOIPR4028.MTN
	ZrGEN 4035		3.0	4.5		AAOIPR4035.MTN
	ZrGEN 4036			6		AAOIPR4036.MTN
	ZrGEN 4038			8		AAOIPR4038.MTN
	ZrGEN 4045		4.0	4.5		AAOIPR4045.MTN
	ZrGEN 4046			6		AAOIPR4046.MTN
	ZrGEN 4048			8		AAOIPR4048.MTN
	ZrGEN 4015	4.0	0.6	4.5	Non-Hex	AAOIPR4015N.MTN
	ZrGEN 4016			6		AAOIPR4016N.MTN
	ZrGEN 4018			8		AAOIPR4018N.MTN
	ZrGEN 4025		1.5	4.5		AAOIPR4025N.MTN
	ZrGEN 4026			6		AAOIPR4026N.MTN
	ZrGEN 4028			8		AAOIPR4028N.MTN
	ZrGEN 4035		3.0	4.5		AAOIPR4035N.MTN
	ZrGEN 4036			6		AAOIPR4036N.MTN
	ZrGEN 4038			8		AAOIPR4038N.MTN
	ZrGEN 4045		4.0	4.5		AAOIPR4045N.MTN
	ZrGEN 4046			6		AAOIPR4046N.MTN
	ZrGEN 4048			8		AAOIPR4048N.MTN
	ZrGEN 4515	4.5	0.6	4.5	Hex	AAOIPR4015.MTN
	ZrGEN 4516			6		AAOIPR4016.MTN
	ZrGEN 4518			8		AAOIPR4018.MTN
	ZrGEN 4525		1.5	4.5		AAOIPR4025.MTN
	ZrGEN 4526			6		AAOIPR4026.MTN
	ZrGEN 4528			8		AAOIPR4028.MTN
	ZrGEN 4535		3.0	4.5		AAOIPR4035.MTN
	ZrGEN 4536			6		AAOIPR4036.MTN
	ZrGEN 4538			8		AAOIPR4038.MTN
	ZrGEN 4545		4.0	4.5		AAOIPR4045.MTN
	ZrGEN 4546			6		AAOIPR4046.MTN
	ZrGEN 4548			8		AAOIPR4048.MTN
	ZrGEN 4515	4.5	0.6	4.5	Non-Hex	AAOIPR4515N.MTN
	ZrGEN 4516			6		AAOIPR4516N.MTN
	ZrGEN 4518			8		AAOIPR4518N.MTN
	ZrGEN 4525		1.5	4.5		AAOIPR4525N.MTN
	ZrGEN 4526			6		AAOIPR4526N.MTN
	ZrGEN 4528			8		AAOIPR4528N.MTN
	ZrGEN 4535		3.0	4.5		AAOIPR4535N.MTN
	ZrGEN 4536			6		AAOIPR4536N.MTN
	ZrGEN 4538			8		AAOIPR4538N.MTN
	ZrGEN 4545		4.0	4.5		AAOIPR4545N.MTN
	ZrGEN 4546			6		AAOIPR4546N.MTN
	ZrGEN 4548			8		AAOIPR4548N.MTN

\* ZrGEN Library Cement gap 35 μ  
 After the ZrGEN code, SPC04 or 05,07 means the length of the scan body

# TiGEN



Library Name **MGG AOI(SH=H04,05,07)**

# 3shape



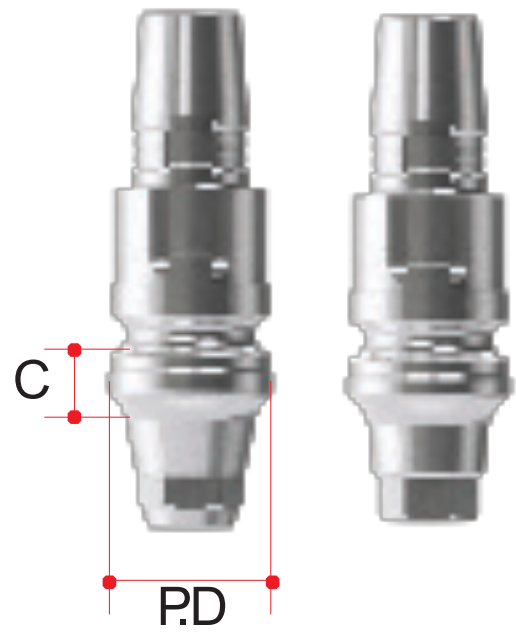
Download [www.r2gate.com](http://www.r2gate.com)  
 [Official]TiGEN\_AnyOne(Int)\_3shape\_v2.04(with Scan Healing, RP Analog)  
 [Official]ZrGEN\_AnyOne(Int)\_3shape\_v2.04(with Scan Healing, RP Analog)

\* **Coming soon**

Ti_base Option In Exocad		Product Information			
System	Kit	Diameter (mm)	Length (mm)	Type	Ref.C
TiGEN_AnyOne (with SH)_v2.05	<a href="#">TiGEN1020_SPC04,05,07</a>	10	20	Hex	<a href="#">AOTR1020.MTN</a>
	<a href="#">TiGEN1220_SPC04,05,07</a>	12			<a href="#">AOTR1220.MTN</a>
	<a href="#">TiGEN1020_SPC04,05,07</a>	10		Non-Hex	<a href="#">AOTR1020N.MTN</a>
	<a href="#">TiGEN1220_SPC04,05,07</a>	12			<a href="#">AOTR1220N.MTN</a>

# C-type [AO]

## Scan Abutment C-type [AO]



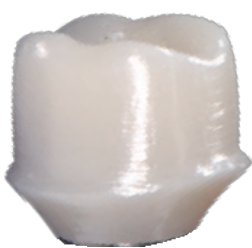
Diameter	Lenght	Ref.C	Post size
Ø3.9	0.5	Small	AOICSS3405T
	1		AOICSS3410T
	2		AOICSS3420T
Ø4.3	0.5		AOICSS3805T
	1		AOICSS3810T
	2		AOICSS3820T
Ø5.5	0.5	Large	AOICSL4505T
	1		AOICSL4510T
	2		AOICSL4520T



 **MiNi**



Crown



Zirconia Abutment



Titan Abutment



ZrGEN



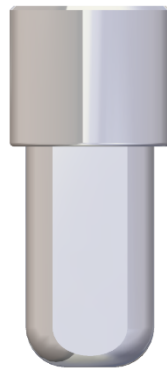
TiGEN



Scan Abutment



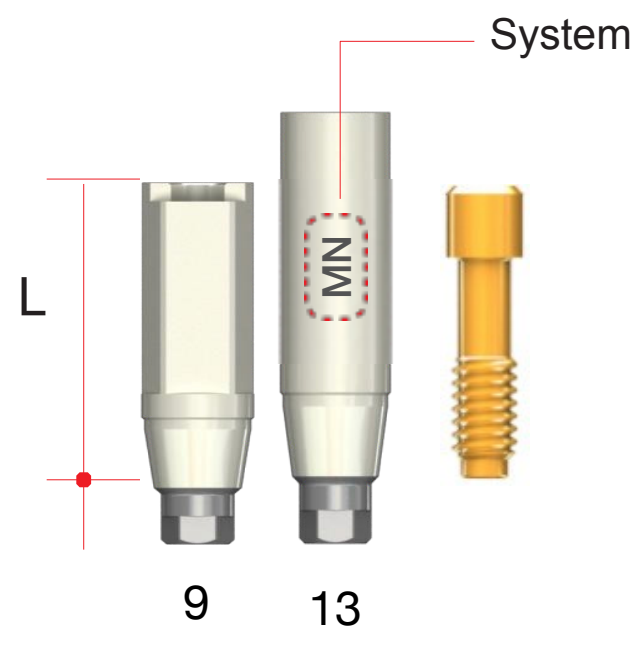
Fixture



RP analogue

# Scan abutment

Supporting Dental CAD  
[exocad](#), [3shape](#), [DentalWing](#)



Scan Abutment [MN]

Diameter	Lenght	Ref.C	Item Code in the Library	
			exocad Library	3shape Library
4.0	9	MISS3509T	MGG MN Int.(SCAN09)	NEW Mini Sys. ZrGEN Distribution
	13	MISS3513T	MGG MN Int.(SCAN13)	NEW Mini Int. TiGEN Distribution

# ZrGEN



Library Name **MGG MN Int. (SCAN09)** **MGG MN Int. (SCAN13)**

**exocad**



Download [www.r2gate.com](http://www.r2gate.com)  
[Official]ZrGEN & TiGEN\_MiNi(Int)\_Exocad\_v1.12

Zr_base Option In Exocad	Product Information				
	Diameter (mm)	Cuff Height (mm)	Post Height (mm)	Type	Ref.C
ZrGEN 3013	3.0	0.6	2.5	Hex	MIPN3013.MTN
			2.5	Non-Hex	MIPN3013N.MTN

\* ZrGEN Library Cement gap 0, 15, 25, 50 μ

**TiGEN**



Library Name **MGG MN Int. (SCAN09)** **MGG MN Int. (SCAN13)**

**exocad**



Download [www.r2gate.com](http://www.r2gate.com)  
[Official]ZrGEN & TiGEN\_MiNi(Int)\_Exocad\_v1.12

Ti_base Option In Exocad		Product Information			
		Diameter (mm)	Length (mm)	Type	Ref.C
TiGEN	Ø 10	10	20	Hex	MITN1020.MTN
	Ø 10	10		Non-Hex	MITN1020N.MTN



# ZrGEN



Library Name

**MEGAGEN  
(OFR-ZU)**

# 3shape



Download [www.r2gate.com](http://www.r2gate.com)

[Official]TiGEN\_MiNi(Int)\_3shape\_v1.12(with RP Analog)

[Official]ZrGEN\_MiNi(Int)\_3shape\_v1.12(with RP Analog)

Zr_base Option In Exocad		Product Information				
		Diameter (mm)	Cuff Height (mm)	Post Height (mm)	Type	Ref.C
NEW Mini Sys. ZrGEN Distribution	ZrGEN 3013_S09	3.0	0.6	2.5	Hex	AANIPR4015.MTN
	ZrGEN 3013_S13					AANIPR4016.MTN
	ZrGEN 3013_S09				Non-Hex	AANIPR4536N.MTN
	ZrGEN 3013_S13					AANIPR4538N.MTN

\* ZrGEN Library Cement gap 35 μ  
After the ZrGEN code, S13 or S09 means the length of the scan body

**TiGEN**



Library Name

**MEGAGEN  
(OFR-ZU)**

**3shape**



Download [www.r2gate.com](http://www.r2gate.com)

[Official]TiGEN\_MiNi(Int)\_3shape\_v1.12(with RP Analog)

[Official]ZrGEN\_MiNi(Int)\_3shape\_v1.12(with RP Analog)

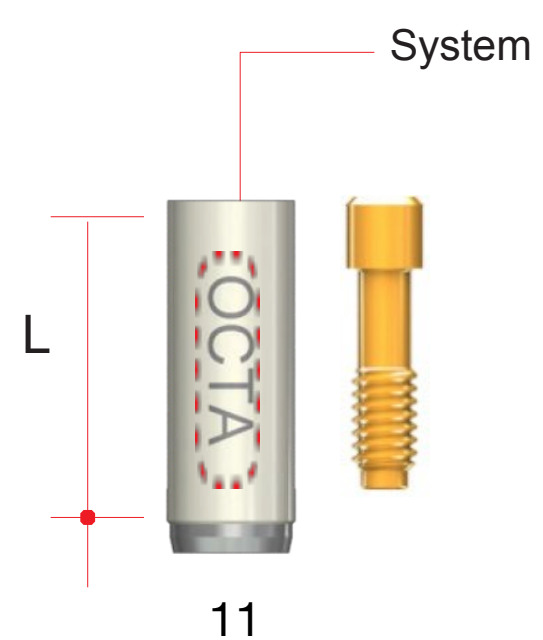
Ti_base Option In 3shape		Product Information			
System	Kit	Diameter (mm)	Length (mm)	Type	Ref.C
NEW MiNi Int. TiGEN Distribution	TiGEN1020_S09(S13)	10	20	Hex	MITN1020.MTN
	TiGEN1020_S09(S13)	10	20	Non-Hex	MITN1020N.MTN

# ➔ Octa



# Scan abutment

Supporting Dental CAD  
[exocad](#), [3shape](#), [DentalWing](#)



Scan Abutment [Octa]

Diameter	Lenght	Ref.C	Item Code in the Library	
			exocad Library	3shape Library
4.0	11	AOCESC4011T	MGG Octa(SCAN11)AN13)	NEW Octa Sys. ZrGEN Distribution NEW Octa Int. TiGEN Distribution



# ZrGEN



Library Name **MGG Octa Int. (SCAN11)**

**exocad**



Download [www.r2gate.com](http://www.r2gate.com)  
[Official]ZrGEN & TiGEN\_OCTA Level\_Exocad\_v1.12

Zr_base Option In Exocad		Product Information				
		Diameter (mm)	Cuff Height (mm)	Post Height (mm)	Type	Ref.C
Small	ZrGEN 3.8	5.0	0.8	5.0	Octa	AOCEPS5015.MTN
Regular	ZrGEN 4.8	5.5				AOCEPR5515.MTN
wide	ZrGEN 5.8	6.5				AOCEPW6515.MTN
Small	ZrGEN 3.8	5.0			Non-Octa	ANOEPS5015.MTN
Regular	ZrGEN 4.8	5.5				ANOEPR5515.MTN
wide	ZrGEN 5.8	6.5				ANOEPW6515.MTN

\* ZrGEN Library Cement gap 0, 15, 25, 50 μ

**TiGEN**



Library Name

**MGG Octa Int.  
(SCAN11)**

**exocad**



Download [www.r2gate.com](http://www.r2gate.com)  
[Official]ZrGEN & TiGEN\_OCTA Level\_Exocad\_v1.12

Ti_base Option In Exceed		Product Information			
		Diameter (mm)	Length (mm)	Type	Ref.C
TiGEN 3.8	Small	Ø 10	10	Octa	<a href="#">OCTS1020.MTN</a>
		Ø 12	12		<a href="#">OCTS1220.MTN</a>
		Ø 10	10	Non-Octa	<a href="#">NCTS1020.MTN</a>
		Ø 12	12		<a href="#">NCTS1220.MTN</a>
TiGEN 4.8	Regular	Ø 10	10	Octa	<a href="#">OCTR1020.MTN</a>
		Ø 12	12		<a href="#">OCTR1220.MTN</a>
		Ø 10	10	Non-Octa	<a href="#">NCTR1020.MTN</a>
		Ø 12	12		<a href="#">NCTR1220.MTN</a>
TiGEN 5.8	Wide	Ø 10	10	Octa	<a href="#">OCTW1020.MTN</a>
		Ø 12	12		<a href="#">OCTW1220.MTN</a>
		Ø 10	10	Non-Octa	<a href="#">NCTW1020.MTN</a>
		Ø 12	12		<a href="#">NCTW1220.MTN</a>

# ZrGEN



Library Name

**MEGAGEN  
(OFR-ZU)**

# 3shape



Download [www.r2gate.com](http://www.r2gate.com)

[Official]TiGEN\_Octa Level\_3shape\_v1.12(with RP Analog)

[Official]ZrGEN\_Octa Level\_3shape\_v1.12(with RP Analog)

Zr_base Option In Exocad		Product Information				
		Diameter (mm)	Cuff Height (mm)	Post Height (mm)	Type	Ref.C
NEW Octa Sys. ZrGEN Distribution	ZrGEN 3.8	5.0	0.8	5.0	Octa	AOCEPS5015.MTN
	ZrGEN 4.8	5.5				AOCEPR5515.MTN
	ZrGEN 5.8	6.5				AOCEPW6515.MTN
	ZrGEN 3.8	5.0			Non-Octa	ANOEPS5015.MTN
	ZrGEN 4.8	5.5				ANOEPR5515.MTN
	ZrGEN 5.8	6.5				ANOEPW6515.MTN

\* ZrGEN Library Cement gap 35 μ  
After the ZrGEN code, S13 or S09 means the length of the scan body

**TiGEN**



Library Name

**MEGAGEN  
(OFR-ZU)**

**3shape**



Download [www.r2gate.com](http://www.r2gate.com)

[Official]TiGEN\_Octa Level\_3shape\_v1.12(with RP Analog)

[Official]ZrGEN\_Octa Level\_3shape\_v1.12(with RP Analog)

Ti_base Option In 3shape		Product Information			
System	Kit	Diameter (mm)	Length (mm)	Type	Ref.C
NEW Octa Int. TiGEN Distribution	<a href="#">TiGEN 3.8_S11</a>	10	20	Octa	<a href="#">OCTS1020.MTN</a>
	<a href="#">TiGEN 3.8_S11</a>	12			<a href="#">OCTS1220.MTN</a>
	<a href="#">TiGEN 3.8_S11</a>	10		Non-Octa	<a href="#">NCTS1020.MTN</a>
	<a href="#">TiGEN 3.8_S11</a>	12			<a href="#">NCTS1220.MTN</a>
	<a href="#">TiGEN 4.8_S11</a>	10		Octa	<a href="#">OCTR1020.MTN</a>
	<a href="#">TiGEN 4.8_S11</a>	12			<a href="#">OCTR1220.MTN</a>
	<a href="#">TiGEN 4.8_S11</a>	10		Non-Octa	<a href="#">NCTR1020.MTN</a>
	<a href="#">TiGEN 4.8_S11</a>	12			<a href="#">NCTR1220.MTN</a>
	<a href="#">TiGEN 5.8_S11</a>	10		Octa	<a href="#">OCTW1020.MTN</a>
	<a href="#">TiGEN 5.8_S11</a>	12			<a href="#">OCTW1220.MTN</a>
	<a href="#">TiGEN 5.8_S11</a>	10		Non-Octa	<a href="#">NCTW1020.MTN</a>
	<a href="#">TiGEN 5.8_S11</a>	12			<a href="#">NCTW1220.MTN</a>

After the ZrGEN code, S13 or S09 means the length of the scan body

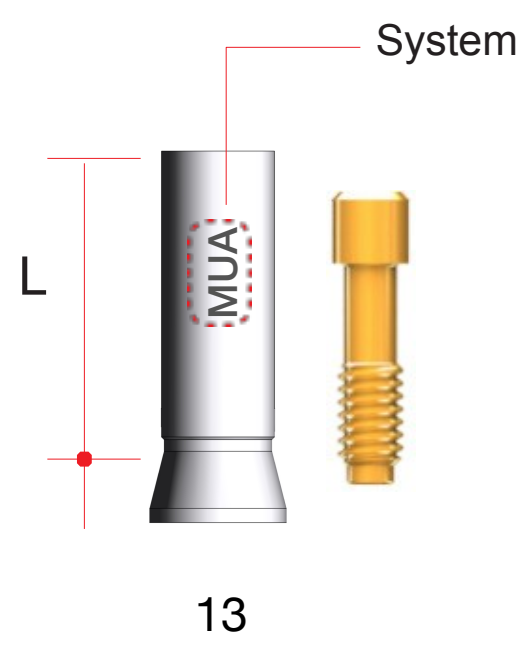


# ➔ Multi-Unit\_N type



# Scan abutment

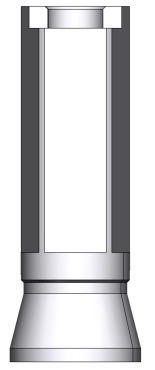
Supporting Dental CAD  
[exocad](#), [3shape](#), [DentalWing](#)



Scan Abutment [MUA]

Diameter	Lenght	Ref.C	Item Code in the Library	
			exocad Library	3shape Library
4.0	13	AMUASR4013T	MGG Multi-unit(SCAN13)	NEW Mua Sys. ZrGEN Distribution

# ZrGEN



Library Name **MGG Multi-unit(SCAN13)**

**exocad**



Download [www.r2gate.com](http://www.r2gate.com)  
[Official]ZrGEN\_Multi-unit\_Exocad\_v2.04

Zr_base Option In Exocad		Product Information				
		Diameter (mm)	Cuff Height (mm)	Post Height (mm)	Type	Ref.C
Regular	ZrBase	5.5	0.8	5.0	-	AMUAPR5515.MTN

\* ZrGEN Library Cement gap 0, 15, 25, 50 μ

# ZrGEN



Library Name

**MEGAGEN  
(OFR-ZU)**

# 3shape



Download [www.r2gate.com](http://www.r2gate.com)  
[Official]ZrGEN\_Multi-unit\_3shape\_v2.04(with RP Analog)

		Product Information				
System	Prosthetic Code	Diameter (mm)	Cuff Height (mm)	Post Height (mm)	Type	Ref.C
ZrGEN_Multi-Unit_N type (with RP)	ZrGEN 4.8	5.5	0.8	5.0	-	AMUAPR5515.MTN