

R2UC Abutment™

by MEGA[!]GEN



**ONE-DAY Teeth,
two steps ahead!**

*Ready **To Use** Customizable abutment!*

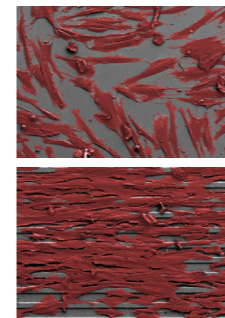
*Enhance the aesthetics on
an immediate-loading protocol*

Ready 2 Use Customizable Abutment

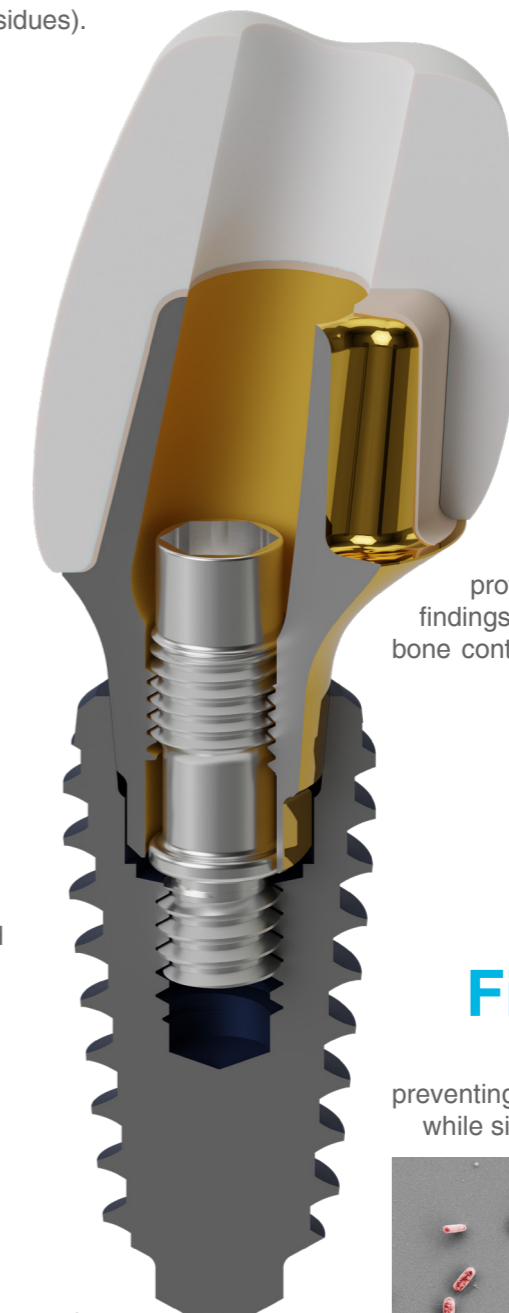
Angled tool channel for enhanced aesthetics and higher mechanical stability on immediate loading protocols.

R2BASE with preglued ceramic body. Anatomically contoured, colored through and easy to grind for intraoral determination of margin line (to avoid cement residues).

Attracts fibroblasts*



Microgrooves directing the growth of fibroblasts for micro sealing and for soft tissue adhesion on the R2UC Abutment.

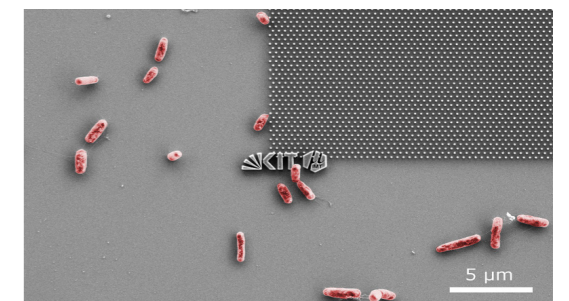


Designed for a lowered starting point of angulation and to guarantee the minimum wall thickness needed for ceramics.

Improved anatomical emergence profile according to the latest scientific findings. Adjusted to the three-dimensional bone contour and the suggested 1 mm sub crestal implant position.

Fights bacteria*

R2BASE with NANO-Structures preventing bacterial adhesion (upper right) while simultaneously attracting fibroblasts.



Innovative DP abutment screw equipped with a double thread to reduce torque of ratchet needed for a safe connection of abutment to implant in immediate loading workflows.

DP-Screw reduces pressure peaks and is secured against loss.



Not all products are available in all countries

*according to research by University of Freiburg and Karlsruhe Institute of Technology, 2018

ONE-DAY Teeth

1 component restoration

2x faster**

without extracting remaining teeth

“Thinking outside the box” - With the R2UC-Abutments we want to simplify the workflow on implants, to raise the predictability and to reduce the risk of periimplantitis without compromising the aesthetics.

Because the R2UC-Abutments are pre-assembled and ready to use, the treatment time and the number of appointments can be reduced.

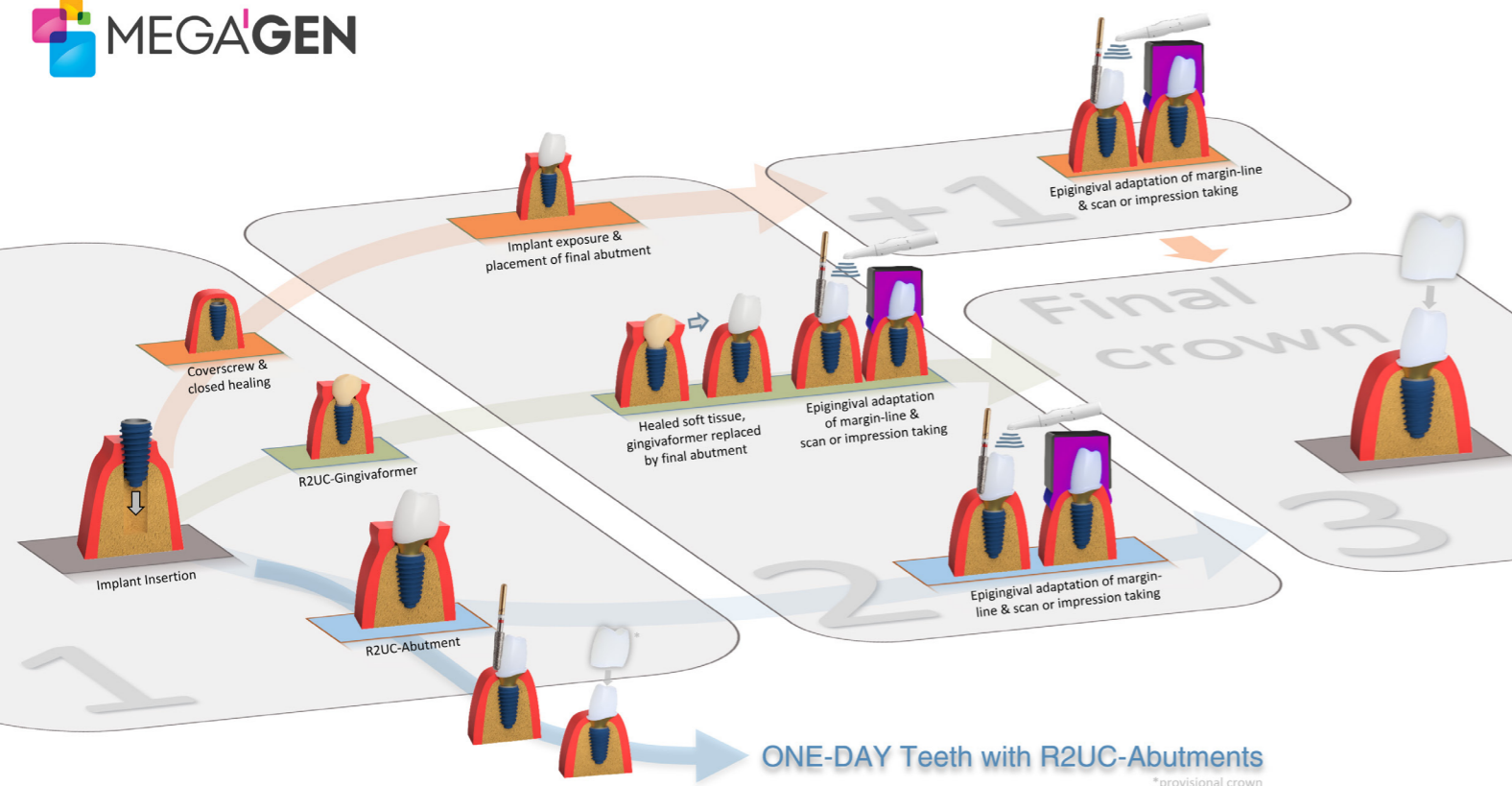
The R2UC portfolio takes the anatomical characteristics of the different teeth into account. For this reason the portfolio consists of 6 hybrid abutment designs in two sizes, corresponding to angulation and basic shapes of the natural teeth, which can be adapted intraorally to define the margin line epigingivally.

3 basic geometries

in two different angulations

4 immediate implants

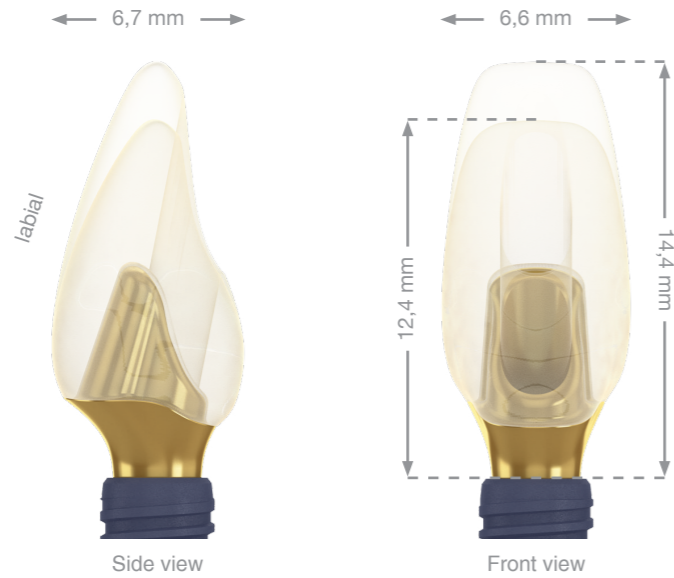
6 abutment designs



**compared to a conventional workflow according to the treatment time

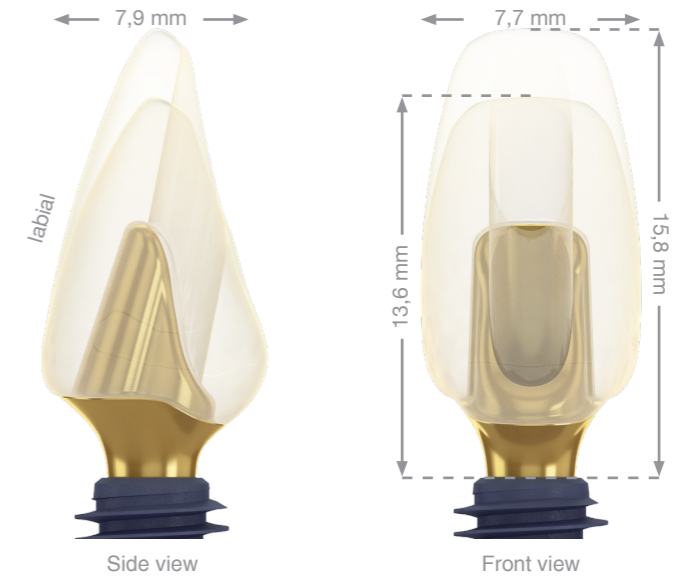
AC Anterior & Canine Small Platform

suggested for Small Regular



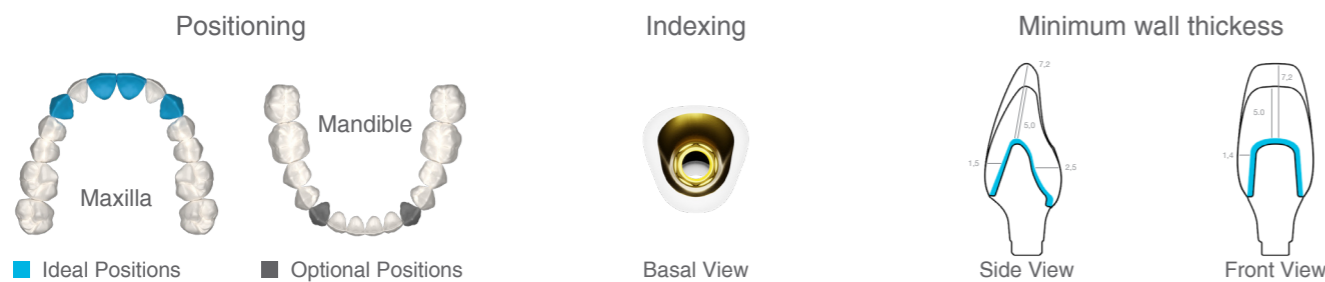
AC Anterior & Canine Wide Platform

suggested for Regular Wide Super Wide



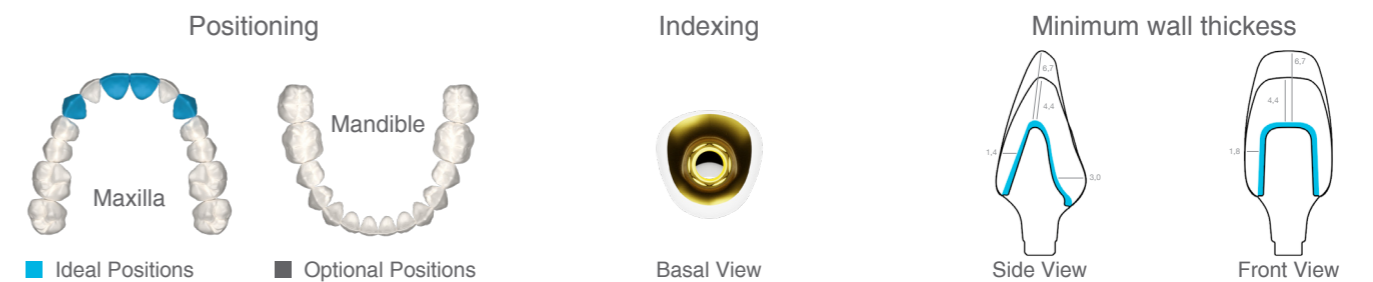
| | Image | Details | Ref. C. | Price |
|---|-------|--|--|-------|
| R2UC-Abutment R2BASE Anterior & Canine with pre-bonded adhesive body made of yttrium-reinforced ZrO2 incl. screw Tightening torque 20 Ncm | | Small platform Anterior & Canine Nano Textured Small Ceramic Body Color Bright | Non-sterile MA.SP.AC.NT.SB | - |
| | | | Sterile ¹ MA.SP.AC.NT.SB.S | - |
| | | Small platform Anterior & Canine Nano Textured Large Ceramic Body Color Bright | Non-sterile MA.SP.AC.NT.LB | - |
| | | | Sterile ¹ MA.SP.AC.NT.LB.S | - |
| R2BASE incl. screw Tightening torque 20 Ncm | | Small platform Anterior & Canine No Surface Texture | Non-sterile MA.SP.AC.XA | - |
| Gingiva Former PEEK incl. screw Adjustable Tightening torque 10 Ncm | | Small platform Gingiva Former PEEK Anterior & Canine | Non-sterile MA.SP.GP.AC | - |
| | | Sterile ¹ MA.SP.GP.AC.S | - | |

| | Image | Details | Ref. C. | Price |
|---|-------|---|--|-------|
| R2UC-Abutment R2BASE Anterior & Canine with pre-bonded adhesive body made of yttrium-reinforced ZrO2 incl. screw Tightening torque 20 Ncm | | Wide platform Anterior & Canine Nano Textured Small Ceramic Body Color Bright | Non-sterile MA.WP.AC.NT.SB | - |
| | | | Sterile ¹ MA.WP.AC.NT.SB.S | - |
| | | Wide platform Anterior & Canine Nano Textured Large Ceramic Body Color Bright | Non-sterile MA.WP.AC.NT.LB | - |
| | | | Sterile ¹ MA.WP.AC.NT.LB.S | - |
| R2BASE incl. screw Tightening torque 20 Ncm | | Wide platform Anterior & Canine No Surface Texture | Non-sterile MA.WP.AC.XA | - |
| Gingiva Former PEEK incl. screw Adjustable Tightening torque 10 Ncm | | Wide platform Gingiva Former PEEK Anterior & Canine | Non-sterile MA.WP.GP.AC | - |
| | | Sterile ¹ MA.WP.GP.AC.S | - | |



¹ Sterile packages not yet available



Actual abutment geometries may differ in emergence profile

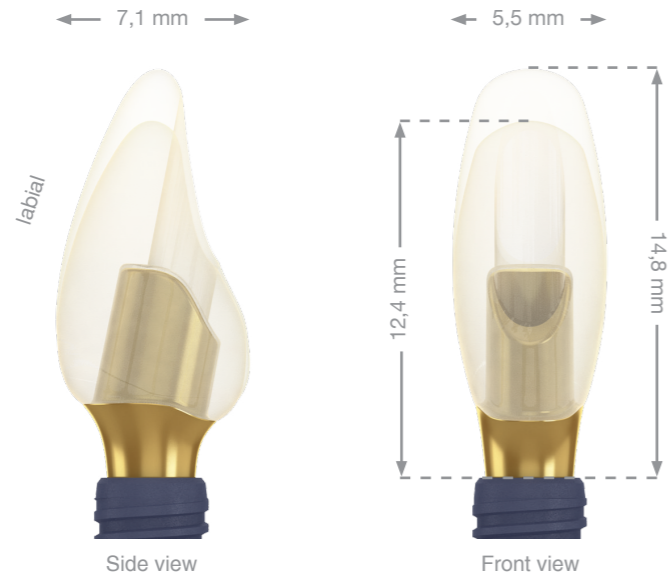


¹ Sterile packages not yet available

Actual abutment geometries may differ in emergence profile

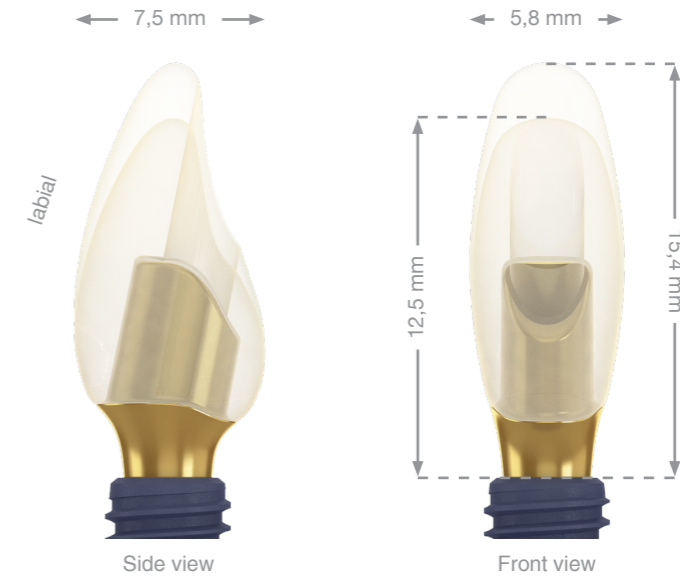
AN Anterior Narrow Small Platform

suggested for  



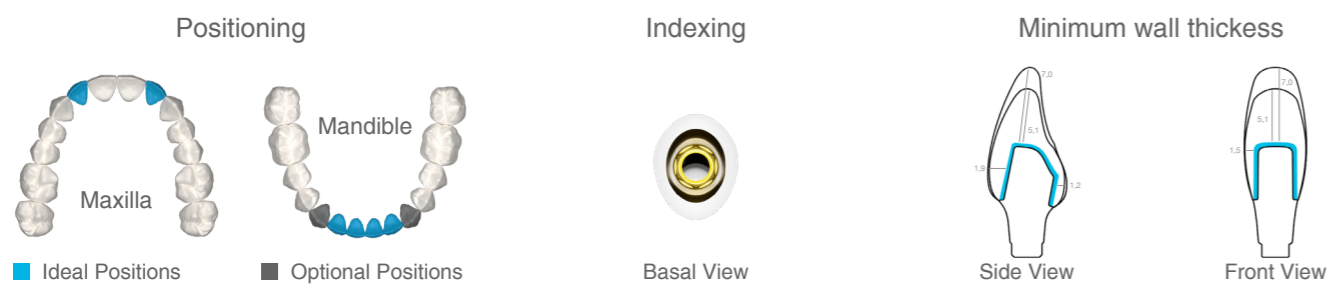
AN Anterior Narrow Wide Platform

suggested for   



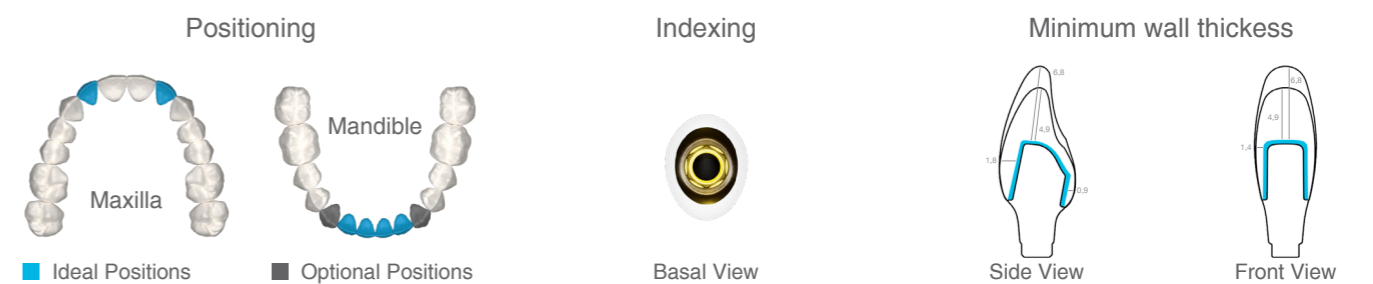
| | Image | Details | Ref. C. | Price |
|---|---|--|--|-------|
| R2UC-Abutment R2BASE Anterior Narrow with pre-bonded adhesive body made of yttrium-reinforced ZrO2 incl. screw Tightening torque 20 Ncm |  | Small platform Anterior Narrow Nano Textured Small Ceramic Body Color Bright | Non-sterile MA.SP.AN.NT.SB | - |
| | | | Sterile ¹ MA.SP.AN.NT.SB.S | - |
| |  | Small platform Anterior Narrow Nano Textured Large Ceramic Body Color Bright | Non-sterile MA.SP.AN.NT.LB | - |
| | | | Sterile ¹ MA.SP.AN.NT.LB.S | - |
| R2BASE incl. screw Tightening torque 20 Ncm |  | Small platform Anterior Narrow No Surface Texture | Non-sterile MA.SP.AN.XA | - |
| Gingiva Former PEEK incl. screw Adjustable Tightening torque 10 Ncm |  | | Non-sterile MA.SP.GP.AN | - |
| | | | Sterile ¹ MA.SP.GP.AN.S | - |

| | Image | Details | Ref. C. | Price |
|---|---|---|--|-------|
| R2UC-Abutment R2BASE Anterior Narrow with pre-bonded adhesive body made of yttrium-reinforced ZrO2 incl. screw Tightening torque 20 Ncm |  | Wide platform Anterior Narrow Nano Textured Small Ceramic Body Color Bright | Non-sterile MA.WP.AN.NT.SB | - |
| | | | Sterile ¹ MA.WP.AN.NT.SB.S | - |
| |  | Wide platform Anterior Narrow Nano Textured Large Ceramic Body Color Bright | Non-sterile MA.WP.AN.NT.LB | - |
| | | | Sterile ¹ MA.WP.AN.NT.LB.S | - |
| R2BASE incl. screw Tightening torque 20 Ncm |  | Wide platform Anterior Narrow No Surface Texture | Non-sterile MA.WP.AN.XA | - |
| Gingiva Former PEEK incl. screw Adjustable Tightening torque 10 Ncm |  | | Non-sterile MA.WP.GP.AN | - |
| | | | Sterile ¹ MA.WP.GP.AN.S | - |



¹ Sterile packages not yet available

Actual abutment geometries may differ in emergence profile



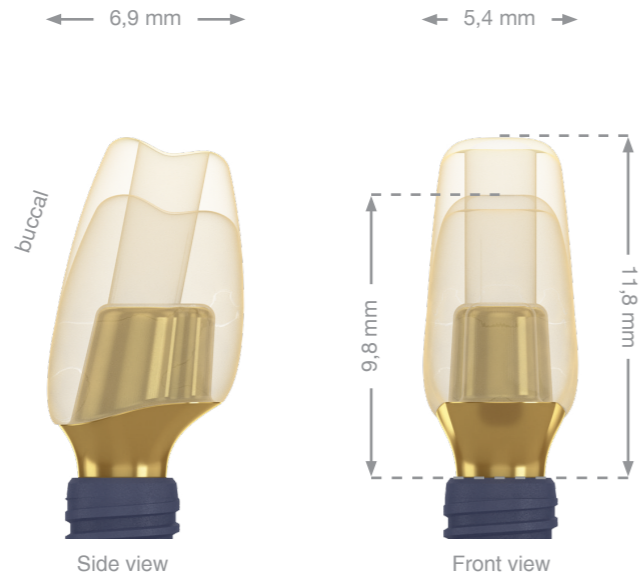
¹ Sterile packages not yet available

Actual abutment geometries may differ in emergence profile

PM Premolar

Small Platform

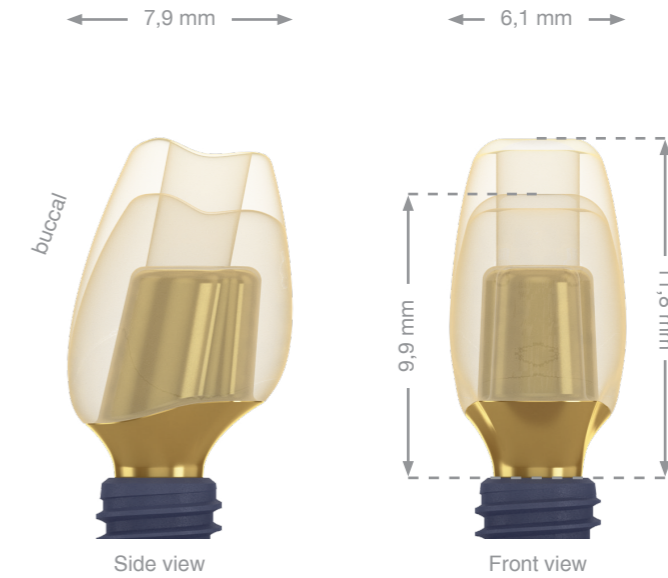
suggested for



PM Premolar

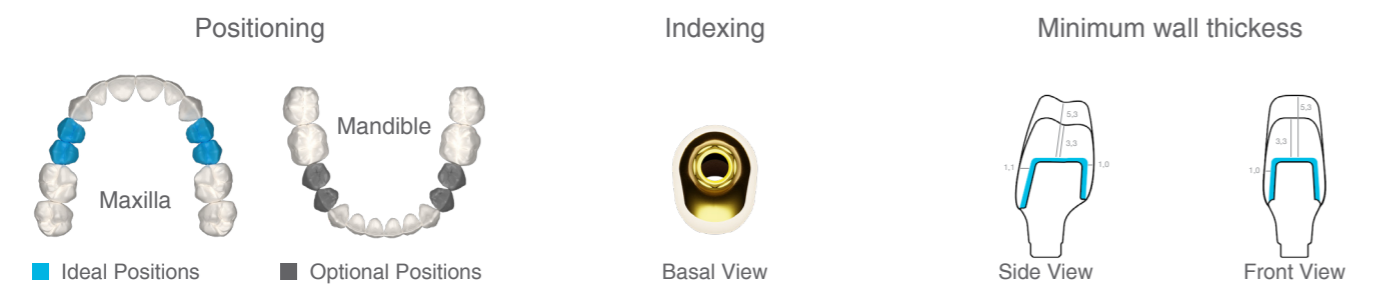
Wide Platform

suggested for



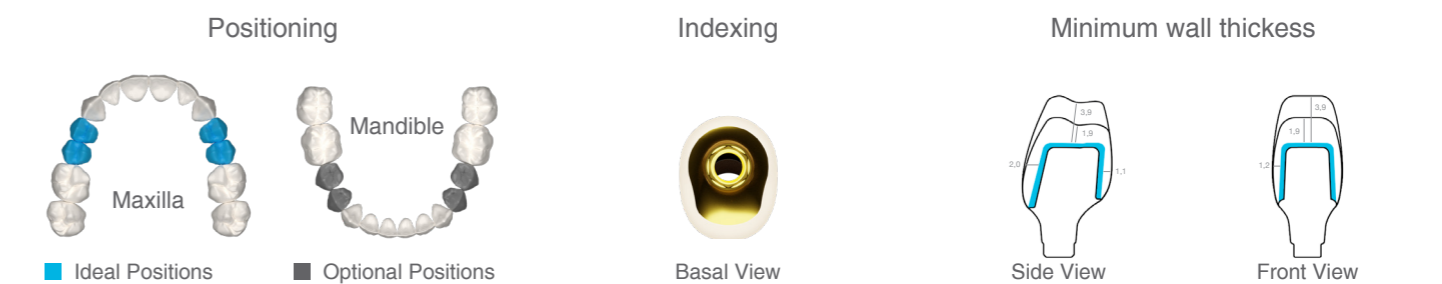
| | Image | Details | Ref. C. | Price |
|--|-------|---|--|-------|
| R2UC-Abutment R2BASE Premolar with pre-bonded adhesive body made of yttrium-reinforced ZrO2 incl. screw Tightening torque 20 Ncm | | Small platform Premolar Nano Textured Small Ceramic Body Color Bright | Non-sterile MA.SP.PM.NT.SB | - |
| | | | Sterile ¹ MA.SP.PM.NT.SB.S | - |
| | | Small platform Premolar Nano Textured Large Ceramic Body Color Bright | Non-sterile MA.SP.PM.NT.LB | - |
| | | | Sterile ¹ MA.SP.PM.NT.LB.S | - |
| R2BASE incl. screw Tightening torque 20 Ncm | | Small platform Premolar No Surface Texture | Non-sterile MA.SP.PM.XA | - |
| Gingiva Former PEEK incl. screw Adjustable Tightening torque 10 Ncm | | Small platform Gingiva Former PEEK Premolar | Non-sterile MA.SP.GP.PM | - |
| | | | Sterile ¹ MA.SP.GP.PM.S | - |

| | Image | Details | Ref. C. | Price |
|--|-------|--|--|-------|
| R2UC-Abutment R2BASE Premolar with pre-bonded adhesive body made of yttrium-reinforced ZrO2 incl. screw Tightening torque 20 Ncm | | Wide platform Premolar Nano Textured Small Ceramic Body Color Bright | Non-sterile MA.WP.PM.NT.SB | - |
| | | | Sterile ¹ MA.WP.PM.NT.SB.S | - |
| | | Wide platform Premolar Nano Textured Large Ceramic Body Color Bright | Non-sterile MA.WP.PM.NT.LB | - |
| | | | Sterile ¹ MA.WP.PM.NT.LB.S | - |
| R2BASE incl. screw Tightening torque 20 Ncm | | Wide platform Premolar No Surface Texture | Non-sterile MA.WP.PM.XA | - |
| Gingiva Former PEEK incl. screw Adjustable Tightening torque 10 Ncm | | Wide platform Gingiva Former PEEK Premolar | Non-sterile MA.WP.GP.PM | - |
| | | | Sterile ¹ MA.WP.GP.PM.S | - |



¹ Sterile packages not yet available

Actual abutment geometries may differ in emergence profile

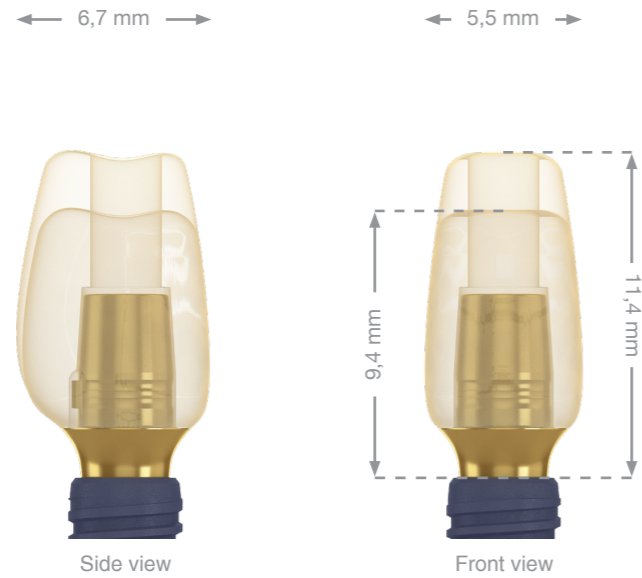


¹ Sterile packages not yet available

Actual abutment geometries may differ in emergence profile

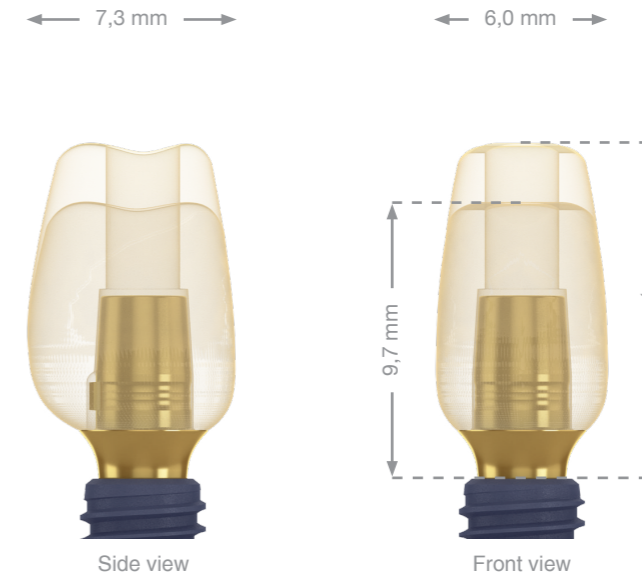
PS Premolar Straight Small Platform

suggested for Small Regular



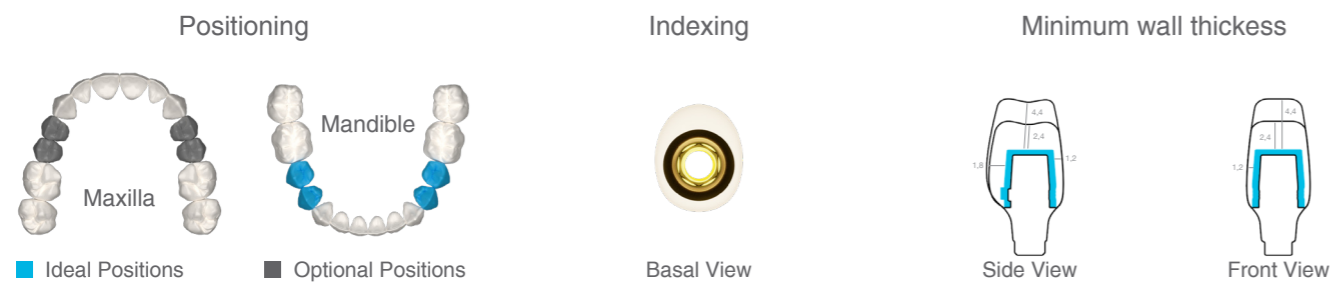
PS Premolar Straight Wide Platform

suggested for Regular Wide Super Wide



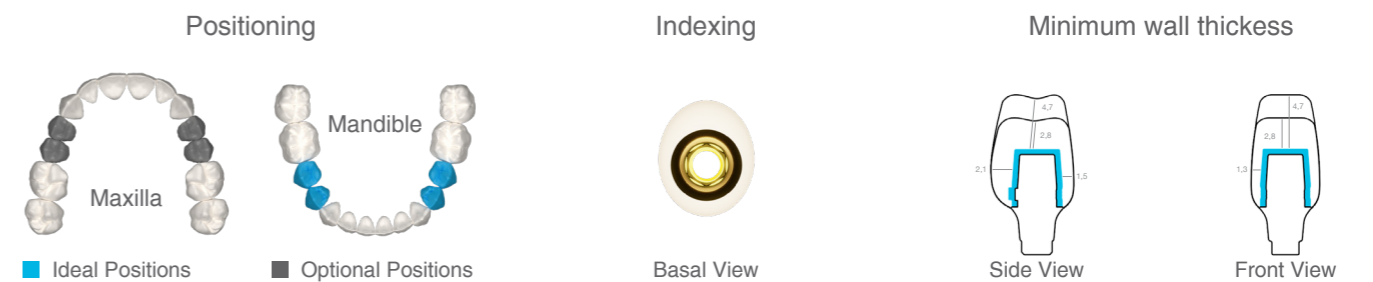
| | Image | Details | Ref. C. | Price |
|---|-------|--|--|-------|
| R2UC-Abutment R2BASE Premolar Straight with pre-bonded adhesive body made of yttrium-reinforced ZrO2 incl. screw Tightening torque 20 Ncm | | Small platform Premolar Straight Nano Textured Small Ceramic Body Color Bright | Non-sterile MA.SP.PS.NT.SB | - |
| | | | Sterile ¹ MA.SP.PS.NT.SB.S | - |
| | | Small platform Premolar Straight Nano Textured Large Ceramic Body Color Bright | Non-sterile MA.SP.PS.NT.LB | - |
| | | | Sterile ¹ MA.SP.PS.NT.LB.S | - |
| R2BASE incl. screw Tightening torque 20 Ncm | | Small platform Premolar Straight No Surface Texture | Non-sterile MA.SP.PS.XA | - |
| Gingiva Former PEEK incl. screw Adjustable Tightening torque 10 Ncm | | Small platform Gingiva Former PEEK Premolar Straight | Non-sterile MA.SP.GP.PS | - |
| | | | Sterile ¹ MA.SP.GP.PS.S | - |

| | Image | Details | Ref. C. | Price |
|---|-------|---|--|-------|
| R2UC-Abutment R2BASE Premolar Straight with pre-bonded adhesive body made of yttrium-reinforced ZrO2 incl. screw Tightening torque 20 Ncm | | Wide platform Premolar Straight Nano Textured Small Ceramic Body Color Bright | Non-sterile MA.WP.PS.NT.SB | - |
| | | | Sterile ¹ MA.WP.PS.NT.SB.S | - |
| | | Wide platform Premolar Straight Nano Textured Large Ceramic Body Color Bright | Non-sterile MA.WP.PS.NT.LB | - |
| | | | Sterile ¹ MA.WP.PS.NT.LB.S | - |
| R2BASE incl. screw Tightening torque 20 Ncm | | Wide platform Premolar Straight No Surface Texture | Non-sterile MA.WP.PS.XA | - |
| Gingiva Former PEEK incl. screw Adjustable Tightening torque 10 Ncm | | Wide platform Gingiva Former PEEK Premolar Straight | Non-sterile MA.WP.GP.PS | - |
| | | | Sterile ¹ MA.WP.GP.PS.S | - |



¹ Sterile packages not yet available



Actual abutment geometries may differ in emergence profile

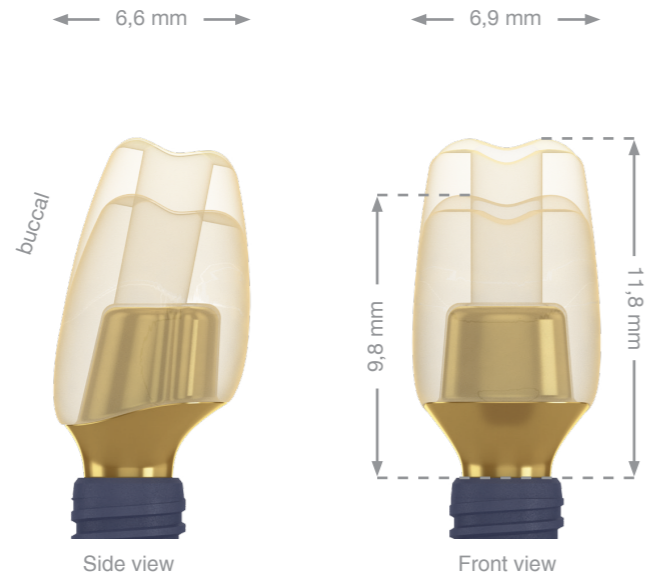


¹ Sterile packages not yet available

Actual abutment geometries may differ in emergence profile

Small Platform

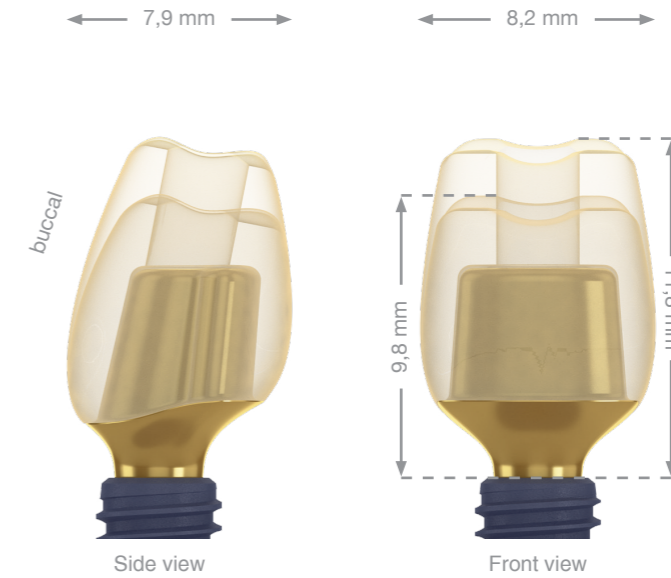
suggested for  



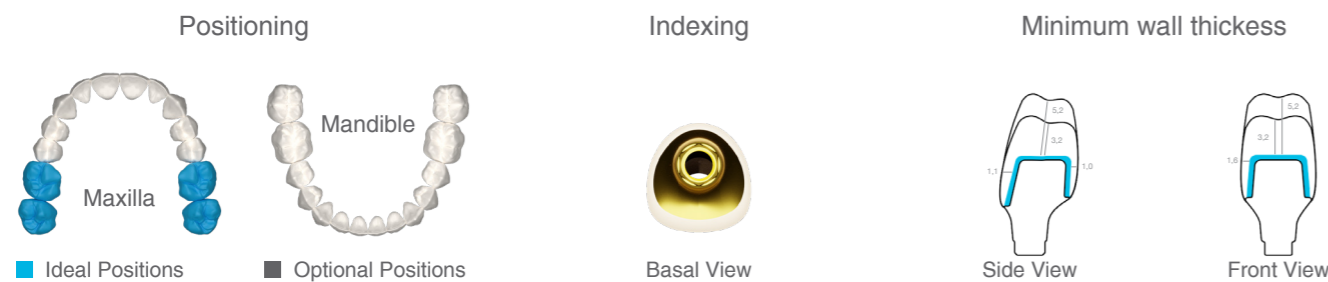
| | Image | Details | Ref. C. | Price |
|---|---|---|--|-------|
| R2UC-Abutment R2BASE Molar with pre-bonded adhesive body made of yttrium-reinforced ZrO2 incl. screw Tightening torque 20 Ncm |  | Small platform Molar Nano Textured Small Ceramic Body Color Bright | Non-sterile MA.SP.MO.NT.SB | - |
| | | | Sterile ¹ MA.SP.MO.NT.SB.S | - |
| |  | Small platform Molar Nano Textured Large Ceramic Body Color Bright | Non-sterile MA.SP.MO.NT.LB | - |
| | | | Sterile ¹ MA.SP.MO.NT.LB.S | - |
| R2BASE incl. screw Tightening torque 20 Ncm |  | Small platform Molar No Surface Texture | Non-sterile MA.SP.MO.XA | - |
| Gingiva Former PEEK incl. screw Adjustable Tightening torque 10 Ncm |  | Small platform Gingiva Former PEEK Molar | Non-sterile MA.SP.GP.MO | - |
| | | | Sterile ¹ MA.SP.GP.MO.S | - |

Wide Platform

suggested for   

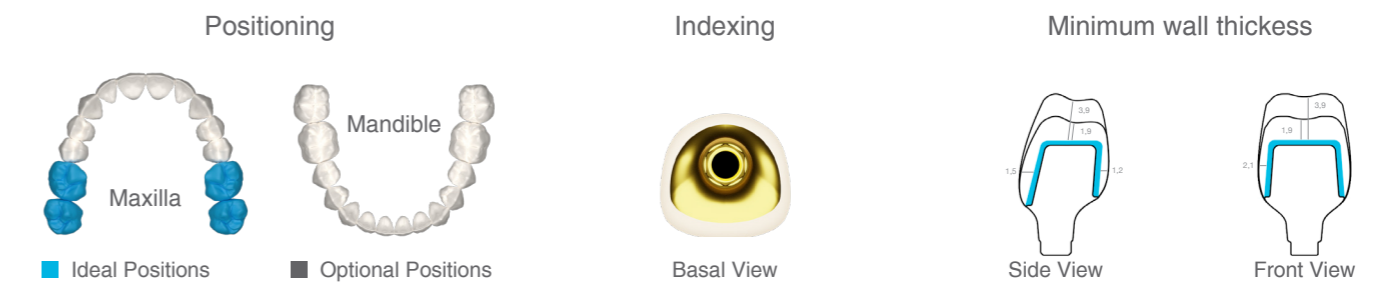


| | Image | Details | Ref. C. | Price |
|---|---|--|--|-------|
| R2UC-Abutment R2BASE Molar with pre-bonded adhesive body made of yttrium-reinforced ZrO2 incl. screw Tightening torque 20 Ncm |  | Wide platform Molar Nano Textured Small Ceramic Body Color Bright | Non-sterile MA.WP.MO.NT.SB | - |
| | | | Sterile ¹ MA.WP.MO.NT.SB.S | - |
| |  | Wide platform Molar Nano Textured Large Ceramic Body Color Bright | Non-sterile MA.WP.MO.NT.LB | - |
| | | | Sterile ¹ MA.WP.MO.NT.LB.S | - |
| R2BASE incl. screw Tightening torque 20 Ncm |  | Wide platform Molar No Surface Texture | Non-sterile MA.WP.MO.XA | - |
| Gingiva Former PEEK incl. screw Adjustable Tightening torque 10 Ncm |  | Wide platform Gingiva Former PEEK Molar | Non-sterile MA.WP.GP.MO | - |
| | | | Sterile ¹ MA.WP.GP.MO.S | - |



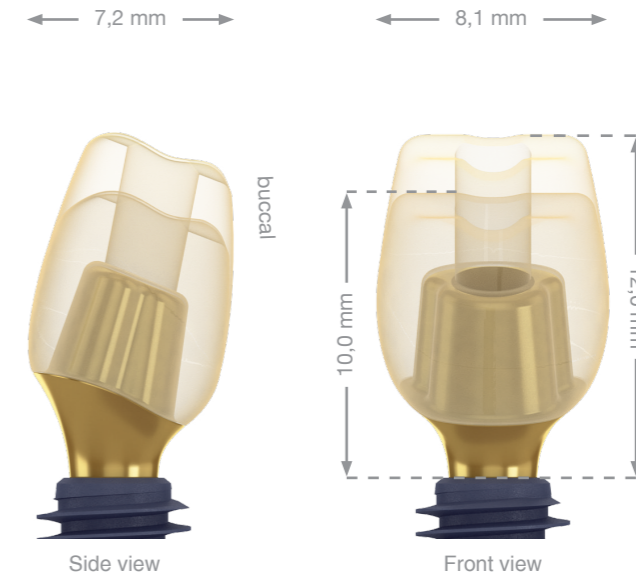
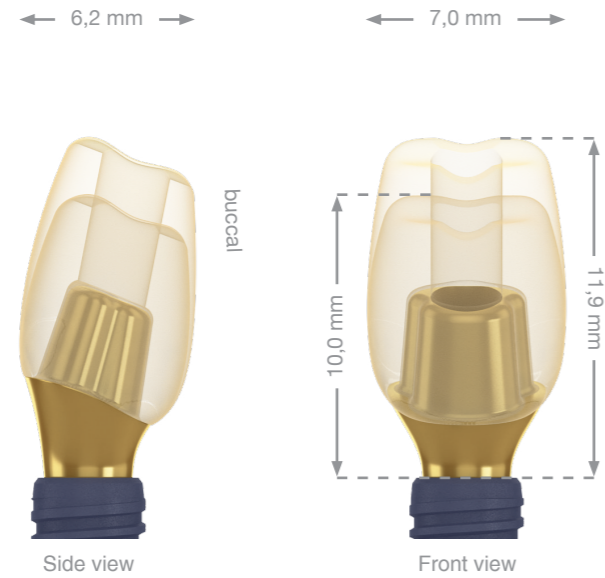
¹ Sterile packages not yet available

Actual abutment geometries may differ in emergence profile



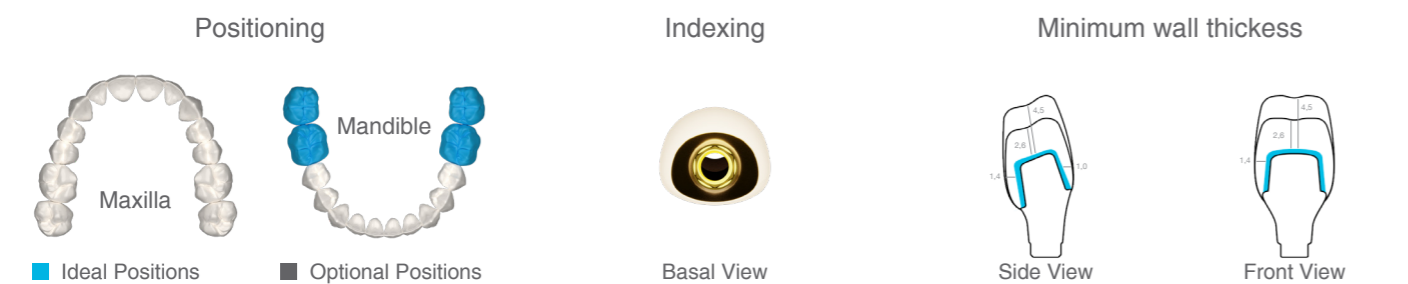
¹ Sterile packages not yet available

Actual abutment geometries may differ in emergence profile



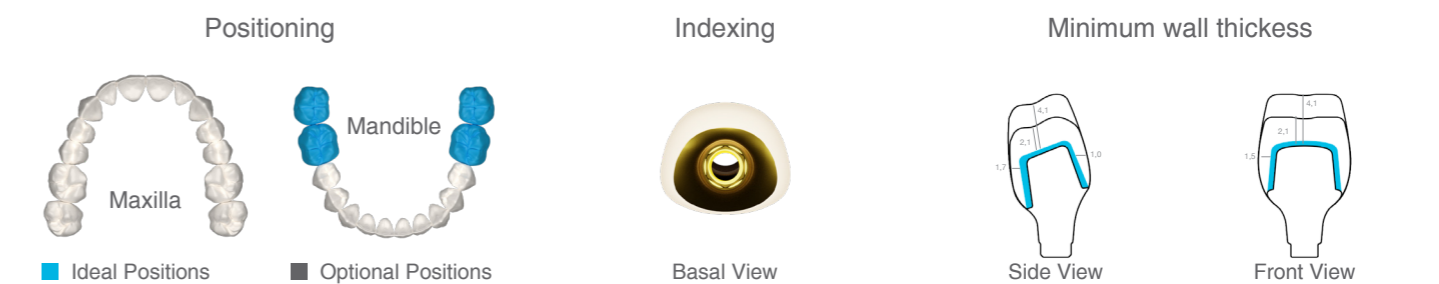
| | Image | Details | Ref. C. | Price |
|---|-------|--|--|-------|
| R2UC-Abutment R2BASE Molar Inverse with pre-bonded adhesive body made of yttrium-reinforced ZrO2 incl. screw Tightening torque 20 Ncm | | Small platform Molar Inverse Nano Textured Small Ceramic Body Color Bright | Non-sterile MA.SP.MI.NT.SB | - |
| | | | Sterile ¹ MA.SP.MI.NT.SB.S | - |
| | | Small platform Molar Inverse Nano Textured Large Ceramic Body Color Bright | Non-sterile MA.SP.MI.NT.LB | - |
| | | | Sterile ¹ MA.SP.MI.NT.LB.S | - |
| R2BASE incl. screw Tightening torque 20 Ncm | | Small platform Molar Inverse No Surface Texture | Non-sterile MA.SP.MI.XA | - |
| Gingiva Former PEEK incl. screw Adjustable Tightening torque 10 Ncm | | Small platform Gingiva Former PEEK Molar Inverse | Non-sterile MA.SP.GP.MI | - |
| | | Sterile ¹ MA.SP.GP.MI.S | - | |

| | Image | Details | Ref. C. | Price |
|---|-------|---|--|-------|
| R2UC-Abutment R2BASE Molar Inverse with pre-bonded adhesive body made of yttrium-reinforced ZrO2 incl. screw Tightening torque 20 Ncm | | Wide platform Molar Inverse Nano Textured Small Ceramic Body Color Bright | Non-sterile MA.WP.MI.NT.SB | - |
| | | | Sterile ¹ MA.WP.MI.NT.SB.S | - |
| | | Wide platform Molar Inverse Nano Textured Large Ceramic Body Color Bright | Non-sterile MA.WP.MI.NT.LB | - |
| | | | Sterile ¹ MA.WP.MI.NT.LB.S | - |
| R2BASE incl. screw Tightening torque 20 Ncm | | Wide platform Molar Inverse No Surface Texture | Non-sterile MA.WP.MI.XA | - |
| Gingiva Former PEEK incl. screw Adjustable Tightening torque 10 Ncm | | Wide platform Gingiva Former PEEK Molar Inverse | Non-sterile MA.WP.GP.MI | - |
| | | Sterile ¹ MA.WP.GP.MI.S | - | |



¹ Sterile packages not yet available

Actual abutment geometries may differ in emergence profile



¹ Sterile packages not yet available

Actual abutment geometries may differ in emergence profile

C-Type



| | Image | Details | Ref. C. | Price |
|--|-------|---|--------------------------------|-------|
| C-Type Straight CEREC* compatible straight R2BASE incl. screw Tightening torque 20 Ncm | | C-Type Straight No Surface Texture Gingivaheight Low Level | Non-sterile MA.CS.XA.LL | - |
| | | C-Type Straight No Surface Texture Gingivaheight High Level | Non-sterile MA.CS.XA.HL | - |
| Gingiva Former PEEK incl. screw Adjustable Tightening torque 10 Ncm | | Small platform Gingiva Former PEEK Premolar Straight | Non-sterile MA.SP.GP.PS | - |
| | | Sterile ¹ MA.SP.GP.PS.S | - | |

| | Image | Details | Art. no. | Price |
|---|-------|---|-----------------------------------|-------|
| C-Type Angulated CEREC* compatible angulated R2BASE Rotation of Index towards angulation W0 = 0° W3 = 30° incl. screw Tightening torque 20 Ncm | | C-Type Angulated No Surface Texture Gingivaheight Low Level W0 | Non-sterile MA.CA.XA.LL.W0 | - |
| | | C-Type Angulated No Surface Texture Gingivaheight High Level W0 | Non-sterile MA.CA.XA.HL.W0 | - |
| | | C-Type Angulated No Surface Texture Gingivaheight Low Level W3 | Non-sterile MA.CA.XA.LL.W3 | - |
| | | C-Type Angulated No Surface Texture Gingivaheight High Level W3 | Non-sterile MA.CA.XA.HL.W3 | - |
| Gingiva Former PEEK incl. screw Adjustable Tightening torque 10 Ncm | | Small platform Gingiva Former PEEK Anterior Narrow | Non-sterile MA.SP.GP.AN | - |
| | | Sterile ¹ MA.SP.GP.AN.S | - | |

The products marked with * are registered trademarks of the respective manufacturer.

¹ Sterile packages not yet available

Actual abutment geometries may differ in emergence profile

T-Type



| | Image | Details | Ref. C. | Price |
|--|-------|---------------------------------------|-----------------------------|-------|
| T-Type Straight CEREC* compatible straight R2BASE incl. screw Tightening torque 20 Ncm | | T-Type Straight No Surface Texture | Non-sterile MA.TS.XA | - |





| | Image | Details | Ref. C. | Price |
|---|-------|--|-----------------------------|-------|
| T-Type Angulated CEREC* compatible straight R2BASE incl. screw Tightening torque 20 Ncm | | T-Type Angulated No Surface Texture | Non-sterile MA.TA.XA | - |

The products marked with * are registered trademarks of the respective manufacturer.

¹ Sterile packages not yet available


Actual abutment geometries may differ in emergence profile


System Tools

| | Image | Details | Ref. C. | Price |
|---|--|--|------------------------------|-------|
| Preform Preformed milling blanks with implant interface and angulated screw channel. Rotation of Index towards angulation W0 = 0° W3 = 30° The related round blank holder can be acquired from the manufacturer of your milling machine. incl. screw |  | Angulated Preform Titanium Grade 5 W0 for Medentika Holder | W0 0° MA.PT.W0.ME | - |
| |  | Angulated Preform Titanium Grade 5 W3 for Medentika* Holder | W3 30° MA.PT.W3.ME | - |
| Torque Wrench ISO-Shaft |  | | MTW300AT | - |
| R2BASE Hand Driver Use for R2UC-Abutments |  | Titanium Grade 5 | R2UHDRTW | - |
| Socket Wrench ISO-Shaft | | Short Version Titanium Grade 5 | R2UHDRISOS | - |
| | | Long Version Titanium Grade 5 | R2UHDRISOL | - |

The products marked with * are registered trademarks of the respective manufacturer.

Preparation Tools

| | Image | Details | Ref. C. | Price |
|--|---|---|---------------|-------|
| R2UC Preparation Set For efficient intraoral preparation of R2UC-Abutments in interproximal Area |  | K882-012M-FG K8850-014M-FG K850-016M-FG K899-031M-FG | R2UPSS | - |

| | Image | Ref. C. | Price |
|---|---|---------------------------------|-------|
| Preparation Diamonds For efficient intraoral preparation of R2UC-Abutments. | Different forms and diameters | | |
| Pre-Preparation |  | Ø 2.5 mm ZR371M | - |
| Hollow flute preparation |  | Ø 1.6 mm K850-016M-FG | - |
| Occlusal Reduction |  | Ø 3.1 mm K899-031M-FG | - |

Actual abutment geometries may differ in emergence profile



ONE-DAY Teeth

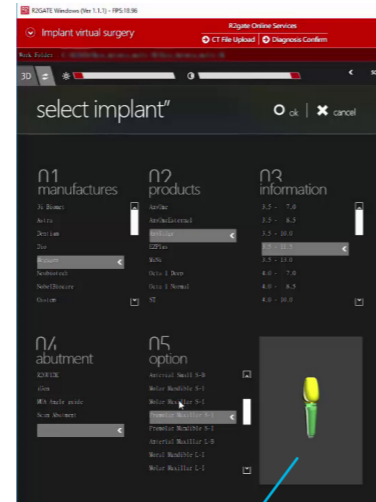
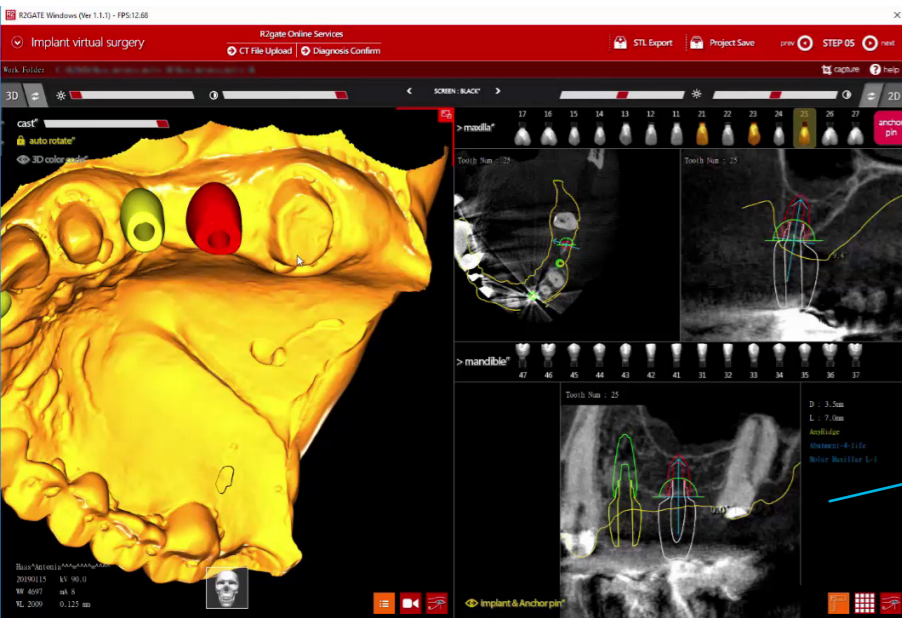
1 CBCT



2 Scan

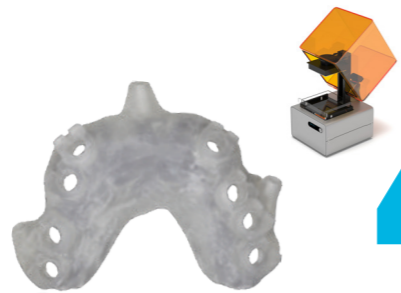


3 Match & Plan



R2UC Abutment

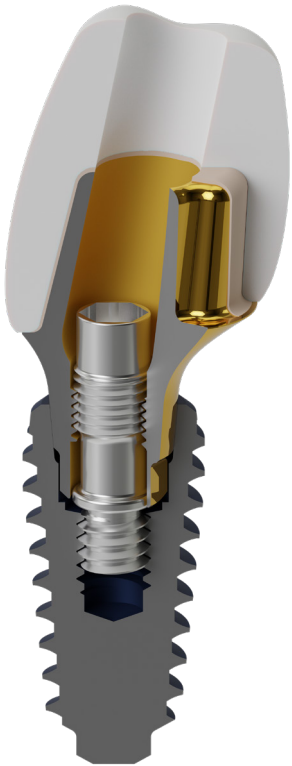
Features angled screw channel



4 Print Guide



Available Products may vary by country due to registration process. Thank you for understanding in advance.



Head Office & Factory
Gangnam Office

45, Secheon-ro 7-gil, Dasa-eup, Dalseong-gun, Daegu, Korea
MegaGen Tower, 607 Seolleung-ro, Gangnam-gu, Seoul, Korea

T. +82-1544-2285
T. +82-1566-2338