

Simpler, stronger & safer

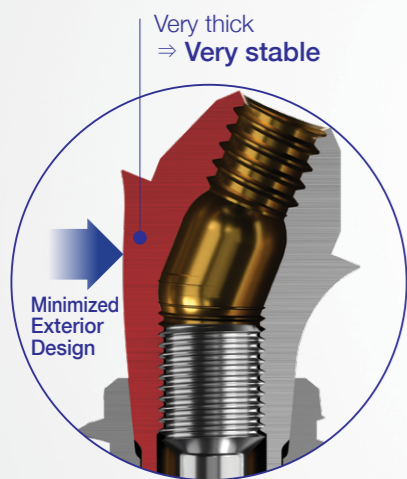
RC-Solution

- One screw channel
- More stable due to thicker wall thickness
- No Sinking Down

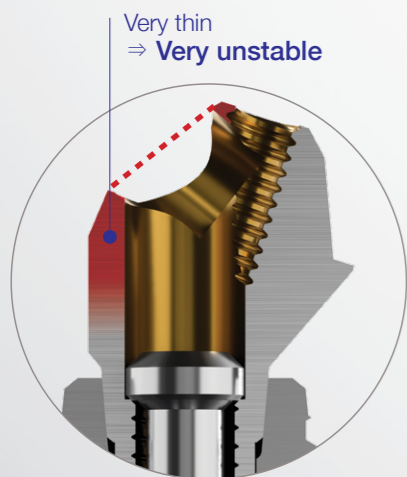
RC-MUA Abutment

This is new Multi-unit Abutment which has **11 and 22 degrees**. Because there is **only one screw channel**, it's **stronger** than the previous versions, and **no tearing** of thin metal ring around the screw hole.

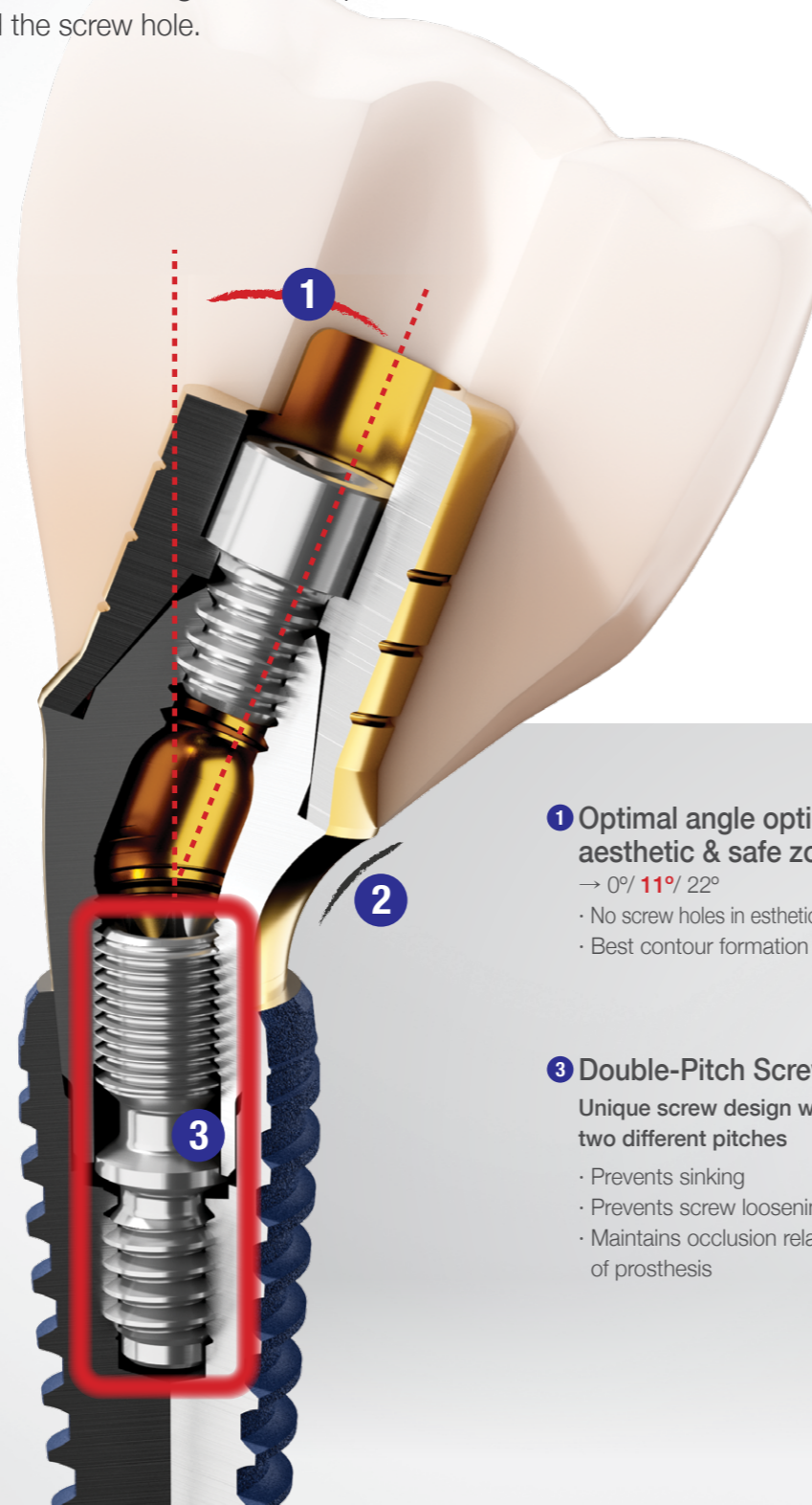
✓ More Stable



RC-MUA Abutment



Conventional MUA Abutment



- 1 Optimal angle option for aesthetic & safe zone**
→ 0°/ 11°/ 22°
- No screw holes in esthetic & safe area
 - Best contour formation

- 3 Double-Pitch Screw**
Unique screw design with two different pitches
- Prevents sinking
 - Prevents screw loosening
 - Maintains occlusion relationship of prosthesis

RC-Base Abutment™

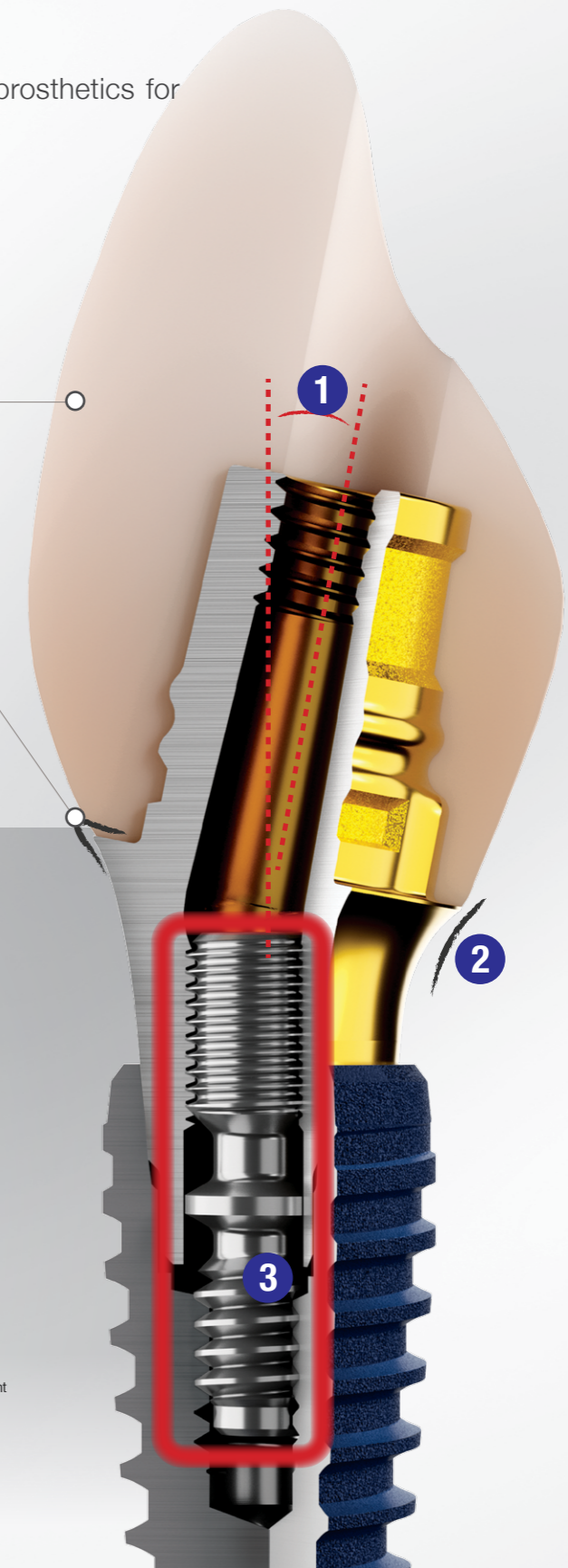
Another innovation in AnyRidge prosthetics for anterior aesthetics

Stable crown fixation Structure & Surface

- Cement contact area ↑
- Wall thickness ↑

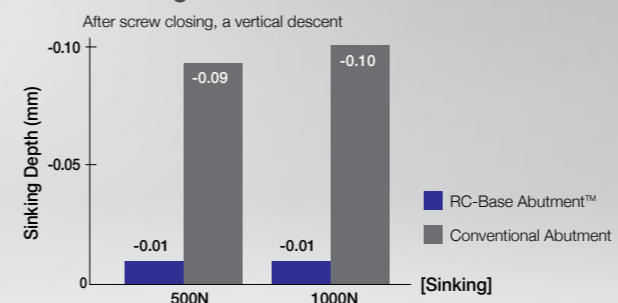
Butt joint design

- Prevents marginal chipping



- 2 Biologic S-line**
Ensures better peri-implant biotype & better emergence profile

✓ No Sinking Down



► Multi-unit Abutment & Components

Multi-unit Abutment (Straight)

- MEDTEOR DP-Screw(MTO-D2T5-60)
- Recommended tightening torque: 25Ncm
- Use with Screw Driver(MTO-DIT5-FW)

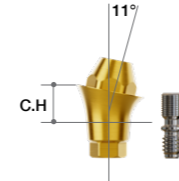
Cuff Height (Labial) (mm)	Ref.C
1.5 (1.6)	MA35-M0015
2.5 (2.6)	MA35-M0025
3.5 (3.6)	MA35-M0035
4.5 (4.6)	MA35-M0045



Multi-unit Angled Abutment (11°)

- MEDTEOR DP-Screw(MTO-D2T5-60)
- Recommended tightening torque: 15Ncm
- Use with Screw Driver(MTO-DIT5-FW)

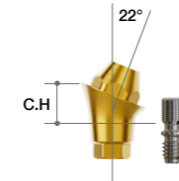
Cuff Height (Labial/Lingual) (mm)	Ref.C
2.5 (2.75/1.8)	MA35-M1125
3.5 (3.7/ 2.8)	MA35-M1135
4.5 (4.7/ 3.8)	MA35-M1145



Multi-unit Angled Abutment (22°)

- MEDTEOR DP-Screw(MTO-D2T5-60)
- Recommended tightening torque: 15Ncm
- Use with Screw Driver(MTO-DIT5-FW)

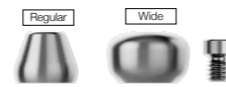
Cuff Height (Labial/Lingual) (mm)	Ref.C
2.5 (3.0/1.2)	MA35-M2225
3.5 (3.9/2.1)	MA35-M2235
4.5 (4.95/3.15)	MA35-M2245



Gingivaformer

- MUA prosthetics Screw (MTO-D2T5-34) included
- Improved emergence profile with an expected coronal tissue growth
- Recommend Torque : 25Ncm

Type	Ref.C
Regular	MTO-GMUB-TS
Wide	MTO-GMUB-TW



Scan Abutment

- MUA scan abutment screw (D18T5-SB70) included
- Recommend Torque : By Hand (5-8Ncm)
- Supporting Dental CAD
- 3Shape / exocad / Dental wings

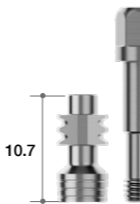
Profile Diameter	Ref.C
Ø4.8	MTO-MSB



Impression coping (Pick-up)

- MUA Pin screw(MTO-S18T5-138) included
- Conical design for improved emergence profile with depth indicators

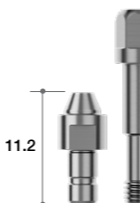
Profile Diameter	Ref.C
Ø4.8	MTO-MICT



Lab Analog

- MUA Pin screw(MTO-S18T5-138) included
- For Chariside/Lapside
- Supporting Dental CAD
- 3Shape / exocad / Dental wings

Head form	Ref.C
Multi unit abutment (D.P System)	MTO-MLAD



Temporary Cylinder

- MUA prosthetics Screw (MTO-D2T5-34) included
- Use for fabricating acrylic provisional restoration.
- Reduced margin height for better esthetics
- Improved mechanical stability due to higher wall thickness at same outer diameter
- Anti-Rotation planes even in shortest geometry
- Recommend torque : 25Ncm

Profile Diameter	Ref.C
Ø4.8	MTO-MTCL0



ZrGEN Abutment

- MUA prosthetics Screw (MTO-D2T5-34) included 2ea. (backup screw)
- Minimized wall thickness for improved esthetics
- Flattened connecting planes for the ceramics without wedge effect
- Undercuts for improved retention and enlarged adhesive film
- 40° connecting angle following MUA profile
- Recommend torque : 25Ncm
- Supporting Dental CAD
- 3Shape / exocad / Dental wings

Profile Diameter	Post Height (mm)	Ref.C
4.8	4.3	MTO-ZRGEN-0480-H043
4.8	4.3	MTO-ZROCT-0480-H043
5.5	4.3	MTO-ZRGEN-0555-H043
5.5	10.5	MTO-ZRGEN-0555-H105



DP Screw

- Double-Pitch Screw
- Recommend Torque : 15Ncm

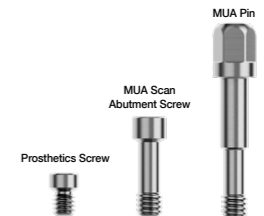
Torx	Ref.C
T5	MTO-D2T5



MUA Screw

- Recommend Torque : 25Ncm

Torx	Length (mm)	Ref.C
T5	34	MTO-D2T5-34
	8.7	D18T5-SB70
	13.8	MTO-S18T5-138



Screw Driver

- Fracture torque : 35Ncm
- Trox T5

Torx	Length (mm)	Ref.C
T5	30	MTO-DIT5-FW-BOX



Right Angle Adapter

- Connect to Screw Driver(MTO-DIT5-FW) for use with Torque Wrench

Type	Ref.C
Handpiece type	TTA100

